

INGERSOLL-RAND®



XFE/EPE/HPE 50
XF/EP/HP 60
XF/EP/HP/XP 75-100
ML/MM/MH 37-75

PARTS LIST
RECOMMENDED SPARES

Before installation or starting the compressor for the first time, this manual should be studied carefully to obtain a clear knowledge of the unit and of the duties to be performed while operating and maintaining the unit.

RETAIN THIS MANUAL WITH UNIT.

This Technical manual contains **IMPORTANT SAFETY DATA** and should be kept with the air compressor at all times.

More Than Air. Answers.

Online answers: <http://www.air.ingersoll-rand.com>

APDD 751

December 1999

**AIR COMPRESSOR GROUP
BONDED WARRANTY & REGISTERED START UP**

Warranty

The Company warrants that the equipment manufactured by it and delivered hereunder will be free of defects in material and workmanship for a period of twelve months (see extended airennd warranty) from the date of placing the Equipment in operation or eighteen months (see extended airennd warranty) from the date of shipment from Davidson, NC, whichever shall first occur. The Purchaser shall be obligated to promptly report any failure to conform to this warranty, in writing to the Company in said period, whereupon the Company shall, at its option, correct such nonconformity, by suitable repair to such equipment or, furnish a replacement part F.O.B. point of shipment, provided the Purchaser has stored, installed maintained and operated such Equipment in accordance with good industry practices and has complied with specific recommendations of the Company. Accessories or equipment furnished by the Company, but manufactured by others, shall carry whatever warranty the manufacturers have conveyed to the Company and which can be passed on to the Purchaser. The Company shall not be liable for any repairs, replacements, or adjustments to the Equipment or any costs of labor performed by the Purchaser or others without Company's prior written approval.

The effects of corrosion, erosion and normal wear and tear are specifically excluded. Performance warranties are limited to those specifically stated within the Company's proposal. Unless responsibility for meeting such performance warranties are limited to specified tests, the Company's obligation shall be to correct in the manner and for the period of time provided above.

THE COMPANY MAKES NO OTHER WARRANTY OR REPRESENTATION OF ANY KIND WHATSOEVER, EXPRESSED OR IMPLIED, EXCEPT THAT OF TITLE, AND ALL IMPLIED WARRANTIES OF MERCHANTABILITY AND FITNESS FOR A PARTICULAR PURPOSE, ARE HEREBY DISCLAIMED.

Correction by the Company of nonconformities whether patent or latent, in the manner and for the period of time provided above, shall constitute fulfillment of all liabilities of the Company for such nonconformities whether based on contract, warranty negligence, indemnity, strict liability or otherwise with respect to or arising out of such Equipment.

The purchaser shall not operate Equipment which is considered to be defective, without first notifying the Company in writing of its intention to do so. Any such Equipment will be at Purchaser's sole risk and liability.

Limitation or Liability

The remedies of the Purchaser set forth herein are exclusive, and the total liability of the Company with respect to this contract or the Equipment and services furnished hereunder, in connection with the performance or breach thereof, or from the manufacture, sale, delivery, installation, repair or technical direction covered by or furnished under this contract, whether passed on contract, warranty negligence, indemnity, strict liability or otherwise, shall not exceed the purchase price of the unit of Equipment upon which such liability is based.

The Company and its suppliers shall in no event be liable to the Purchaser, any successors in interest or any beneficiary or assignee of this contract for any consequential, incidental, indirect, special or punitive damages arising out of this contract or any breach thereof, or any defect in, or failure of, or malfunction of the Equipment hereunder, whether based upon loss of use, lost profits or revenue, interest, lost goodwill, work stoppage, impairment of other goods, loss by reason of shutdown or non-operation, increased expenses of operation, cost of purchase of replacement power or claims of Purchaser or customers of Purchaser for service interruption whether or not such loss or damage is based on contract, warranty, negligence, indemnity, strict liability or otherwise.

EXTENDED DRIVETRAIN WARRANTY

**Intellisys Compressors
50-450 HP**

The Ingersoll-Rand Company Rotary Screw Air Compressor that has been filled prior to its original shipment from Ingersoll-Rand Company with ULTRA COOLANT and which has been operated solely on ULTRA COOLANT thereafter shall have its DRIVETRAIN warranted for twenty four (24) months from the date of placing the COMPRESSOR in operation or thirty (30) months from the date of shipment, whichever occurs first.

Except for the above warranty period, the standard warranty provisions shall apply and the conditions outlined herein are understood to be a supplement to the standard Ingersoll-Rand Company warranty.

This EXTENDED DRIVETRAIN WARRANTY applies only to 50-450 HP Intellisys COMPRESSORS operating on ULTRA COOLANT after February 1, 1990.

TABLE OF CONTENTS

Safety and Warnings	2
Introduction	3
Controller Assembly	4,5
Control Piping (NEMA I) - No Modulation	6,7
Control Piping (NEMA 1) - With Modulation	8,9
Control Piping (NEMA 4) - No Modulation	10,11
Control Piping (NEMA 4) - With Modulation	12,13
Electrical Components - All Units	14,15
Starter - Full Voltage (C85 & B110)	16
Starter - Full Voltage (B180 & B250)	17
Starter - Star-Delta (C43 w/C37) & (C60 w/C43)	18
Starter - Star-Delta (C72 w/C60) & (C85 w/C60)	19
Starter - Star-Delta (B110 w/A75) & (B180 w/B110)	20
Starter - Star-Delta (B250 w/B180)	21
50-60 HP & Gear	22,23
37-45 KW Motor & Gear	24,25
50-60 HP & 37-45 KW Motor Support	26,27
75 HP Motor & Gear w/Motor Support	28,29
55 KW Motor & Gear w/Motor Support	30,31
100 HP Motor & Gear w/Motor Support	32,33
75 KW Motor & Gear w/Motor Support	34,35
50-60 HP (37-45 KW) Airend Piping and Support	36,37
75-100 HP (55-75 KW) Airend Piping and Support	38,39
Inlet Valve Assembly	40,41
50-60 HP (37-45 KW) Air Filter Assembly	42,43
75-100 HP (55-75 KW) Air Filter Assembly	44,45
50-60 HP (37-45 KW) Separator Tank	46,47
75-100 HP (55-75 KW) Separator Tank	48,49
Temperature Control Valve and Piping	50,51
Cooler Frame	52,53
Air Cooled Cooler	54,55
50-75 HP (37-55 KW) Moisture Separator	56,57
100 HP (75 KW) Moisture Separator	58,59
Water Cooled (Common)	60,61
50-60 HP (37-45 KW) Water Cooled	62,63
75-100 HP (55-75 KW) Water Cooled	64,65
Enclosure Assembly	66,67
Intake Assembly	68,69
Recommended Spares	70-73

ROTARY SCREW AIR COMPRESSOR

This unit was purchased from

Ingersoll-Rand Company reserves the right to make changes or add improvements without notice and without incurring any obligation to make such changes or add such improvements to products sold previously.

No. of units on order: _____

Customer Order No.: _____

Ingersoll-Rand Co. Order No.: _____

For ready reference:

Record the serial number and model number of your unit here.

Serial Number: _____

Model Number: _____

0.0 SAFETY AND WARNINGS

0.1 SAFETY INSTRUCTIONS

Before you install this air compressor you should take the time to carefully read all the instructions contained in the operators manual APDD 696. Operator manuals may be obtained from your local Ingersoll-Rand Distributor or Air Center.

Electricity and compressed air have the potential to cause severe personal injury or property damage.

Before installing, wiring, starting, operating or making any adjustments, identify the components of the air compressor using this manual as a guide.

The operator should use common sense and good working practices while operating and maintaining this unit. Follow all codes, pipe adequately, understand the starting and stopping sequence. Check the safety devices by following the procedure contained in this manual.

Maintenance should be done by qualified personnel, adequately equipped with proper tools. Follow the maintenance schedules as outlined in the operators manual to ensure problem free operation after start up.

Safety instructions in the operators manual are bold-faced for emphasis. The signal words **DANGER**, **WARNING** and **CAUTION** are used to indicate hazard seriousness levels as follows:



Danger is used to indicate the presence of a hazard which *will cause severe* personal injury, death, or substantial property damage if the warning is ignored.



Warning is used to indicate the presence of a hazard which *can cause severe* personal injury, death, or substantial property damage if the warning is ignored.



Caution is used to indicate the presence of a hazard which *will or can cause minor* personal injury or property damage if the warning is ignored.



Notice is used to notify people of installation, operation, or maintenance information which is important but not hazard-related.

0.2 SAFETY PRECAUTIONS

SAFETY PRECAUTIONS

BEFORE PROCEEDING, READ CAREFULLY BEFORE INSTALLING THE COMPRESSOR OR PERFORMING ANY MAINTENANCE

WARNING

COMPRESSED AIR AND ELECTRICITY ARE DANGEROUS.

BEFORE DOING ANY WORK ON THIS UNIT, BE SURE THE ELECTRICAL SUPPLY HAS BEEN CUT OFF-LOCKED & TAGGED AND THE ENTIRE COMPRESSOR SYSTEM HAS BEEN VENTED OF ALL PRESSURE.

1. Do not remove the covers, loosen or remove any fittings, connections or devices when this unit is in operation. Hot liquid and air under pressure that are contained within this unit can cause severe injury or death.

2. The compressor has high and dangerous voltage in the motor starter and control box. All installations must be in accordance with recognized electrical codes. Before working on the electrical system, be sure to remove voltage from the system by use of a manual-disconnect-switch. A circuit breaker or fuse safety switch must be provided in the electrical supply line leading to the compressor.

Those responsible for installation of this equipment must provide suitable grounds, maintenance clearance and lightning arrestors for all electrical components as stipulated in O.S.H.A. 1910.308 through 1910.329.

3. Do not operate the compressor at higher discharge pressure than those specified on the Compressor Nameplate or motor overload will occur. This condition will result in compressor motor shutdown.

4. Use only safety solvent for cleaning the compressor and auxiliary equipment.

5. Install a manual shut off valve (isolation type) in the discharge line. When a safety valve is installed between the isolation valve and the compressor, it must have sufficient capacity to relieve the full capacity of the compressor(s).

6. Whenever pressure is released through the pressure relief valve, it is due to excessive pressure in the system. The cause for the excessive pressure should be investigated immediately.

7. Before doing any mechanical work on the compressor:

a.) Shut the unit down.

b.) Electrically isolate the compressor by use of the manual disconnect switch in the power line to the unit. Lock and tag the switch so that it cannot be operated.

c.) Vent pressure from the compressor and isolate the unit from any other source of air.

8. There can be adverse effects if compressor lubricants are allowed to enter plant air systems.

Air line separators, properly selected and installed, will minimize any liquid carry-over.

The use of plastic bowls on line filters without metal guards can be hazardous. From a safety standpoint, metal bowls should be used on any pressurized system. Review of your plant air line system is recommended.

9. When a receiver is installed, it is recommended that occupational safety and health standards as covered in the Federal Register, Volume 36, number 105, part 11, paragraph 1910.169 be adhered to in the installation and maintenance of this receiver.

10. Before starting the compressor, its maintenance instructions should be thoroughly read and understood.

11. After maintenance functions are completed, covers and guards must be replaced.

PARTS LIST

INTRODUCTION

GENERAL

This manual, which contains an illustrated parts breakdown, has been prepared as an aid in identifying and ordering parts in the SSR compressor. All of the compressor parts listed in the parts breakdown, are manufactured with the same precision as the original equipment.

Ingersoll-Rand Company service facilities and parts are available worldwide. There are Ingersoll-Rand Company Branch Offices and authorized distributors located in the principle cities of the United States. In Canada, our customers are serviced by the Canadian Ingersoll-Rand Company, Limited. There are also Ingersoll-Rand Company subsidiaries and authorized distributors located in the principle cities throughout the world.

DESCRIPTION

The illustrated parts breakdown illustrates the various assemblies, sub-assemblies and detailed parts which make up this particular SSR compressor. A series of illustrations show each part clearly and in it's

correct location relative to the other parts in the illustration. Each part on an illustration is referenced with a number. The number, description and quantity needed per assembly is listed in numerical order on the following pages.

OPTIONAL EQUIPMENT

Several optional accessories items are available for convenience or special application. These accessories have been selected as being particularly suitable for use on the SSR compressor.

For complete details on Optional Equipment, contact your Sales Representative.

HOW TO USE THIS PARTS MANUAL

1. Turn to the Parts Section to locate the desired illustrations.
2. Locate the part on the illustration by visual identification and the reference number.
3. Find the referenced number on the Tabulated page, along with the Part Number and Description.

SERIAL NUMBER BREAK

When a part is changed and it doesn't supersede the previous part this change must be docu-

mented by a serial number break. By using the last (6) of the serial number, as outlined below, this change is recorded in the parts list.

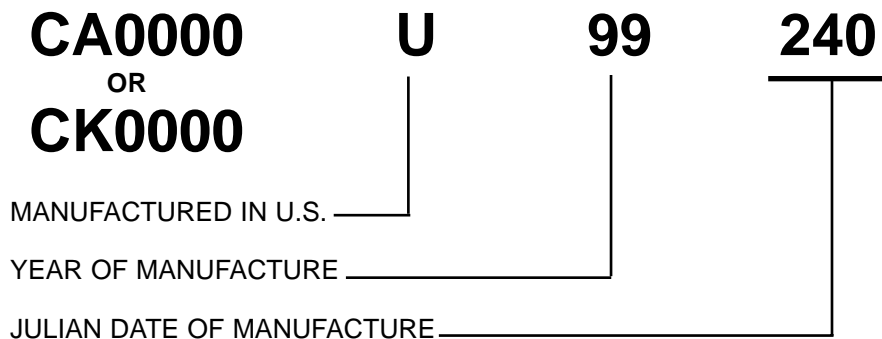
→> **U99240** indicates part is used on units up to and including serial number ending in **U99240**.

U99241→> indicates part is used on units with serial number ending in **U99241** or higher.

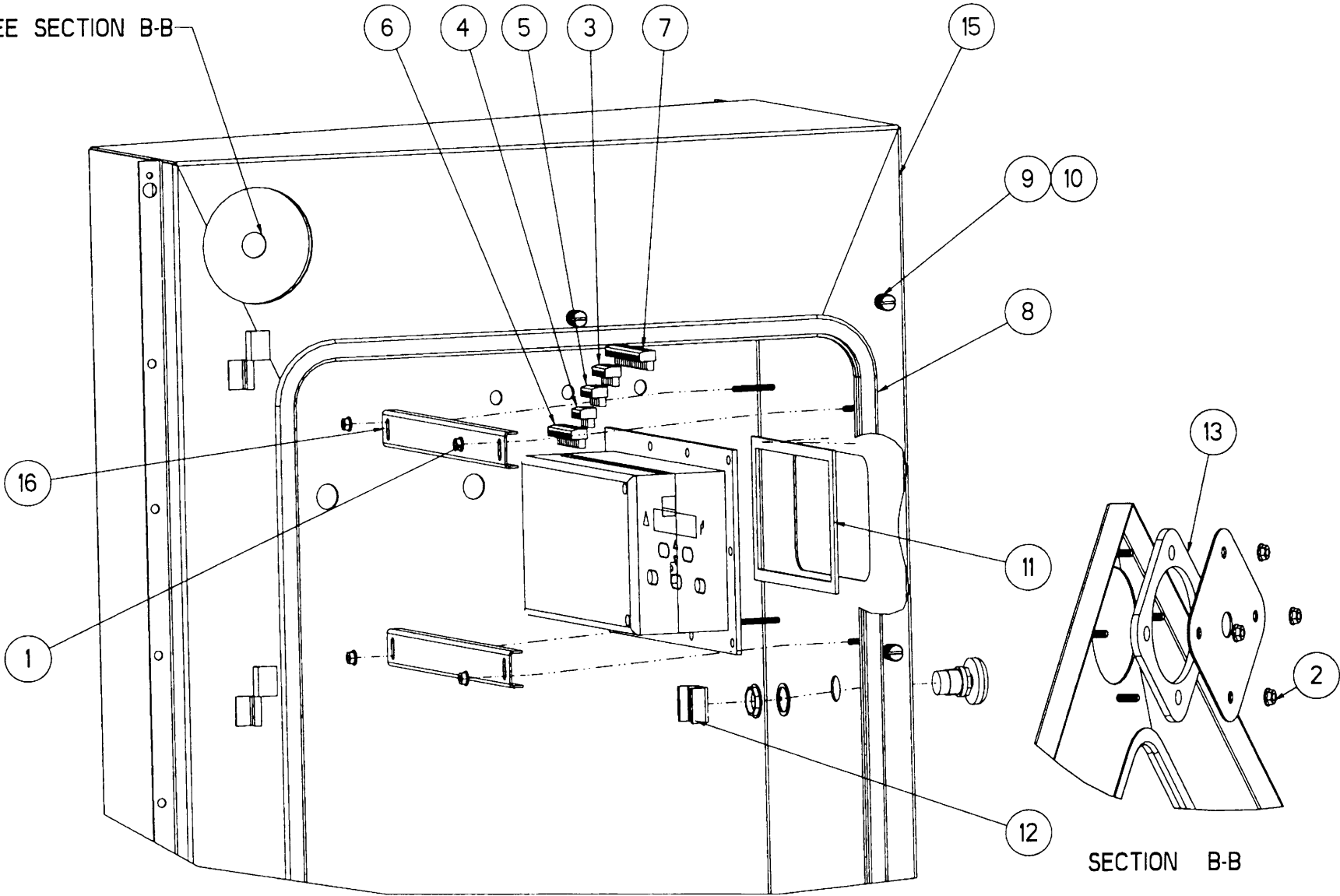
HOW TO ORDER PARTS

In order that all avoidable errors be eliminated when ordering parts, please specify the following:

1. The model number of the unit as shown on the Compressor Data Plate.
2. The serial number of the unit as shown on the Compressor Data Plate.
3. The form number of this manual.
4. The reference number, part number, description and quantity needed exactly as listed.
5. The motor data code shown on the motor data plate.

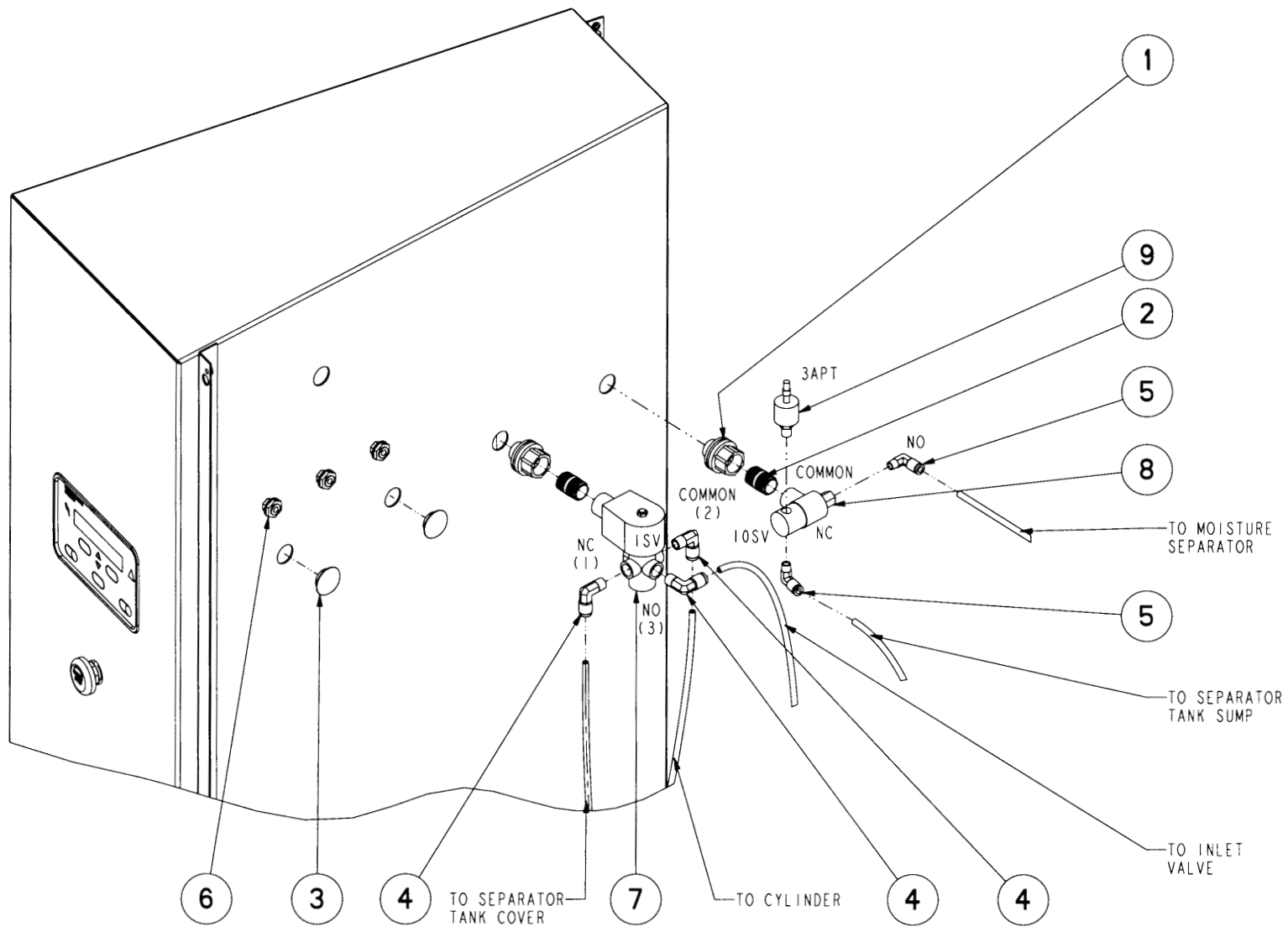


SEE SECTION B-B



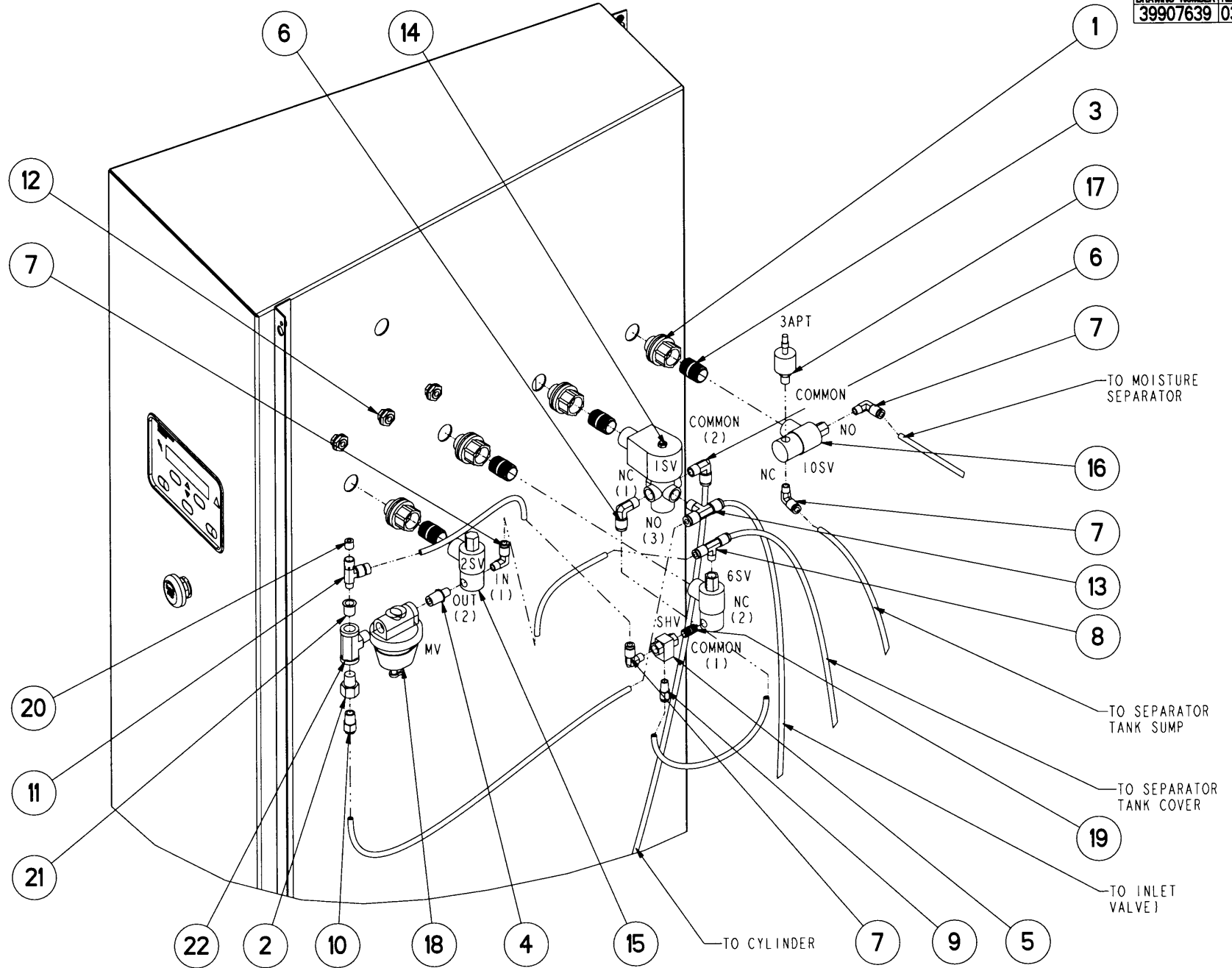
CONTROLLER ASSEMBLY

REF. NO.	PART NUMBER	QTY.	DESCRIPTION
1	39128533	4	NUT, WHIZ LOCK #10 ZINC PLATED
2	39128541	4	NUT, WHIZ LOCK .25 ZINC PLATED
3	39186093	1	PLUG, 6 POSITION
4	39186101	1	PLUG, 4 POSITION
5	39191630	1	PLUG, 5 POSITION
6	39191648	1	PLUG, 11 POSITION
7	39191655	1	PLUG, 16 POSITION
8	39249875	1	GASKET, SEALING EDGE 130 IN. LONG
9	39256318	7	SCREW, KNURL HEAD .25 X 1.00 LONG
10	39256326	7	RETAINER, BOLT .25
11	39495874	1	GASKET, INTELLISYS STARTER BOX
12	39549167	1	SWITCH, EMERGENCY STOP
13	39589007	1	GASKET, CONDUIT PLATE
14	39817655	1	CONTROLLER/INTELLISYS
15	39894621	1	BOX, STARTER
16	39896634	2	ANGLE, CONTROLLER



CONTROL PIPING NEMA I - NO MODULATION			
REF. NO.	PART NUMBER	QTY.	DESCRIPTION
1	35275494	2	HUB
2	39108592	2	NIPPLE, .50 NPT X 1.19 LONG
3	39140785	2	PLUG, LIQUID TIGHT .50 CONDUIT
4	39155478	3	ELBOW, .25 NPT X .25 TUBE
5	39155577	2	ELBOW, .13 NPT X .25 TUBE
6	39173927	3	GLAND, WIRE
7	39418926	1	VALVE, .25 NPT
8	39583943	1	VALVE, SOLENOID 3-WAY (DC COIL)
9	39853809	1	TRANSDUCER, PRESSURE

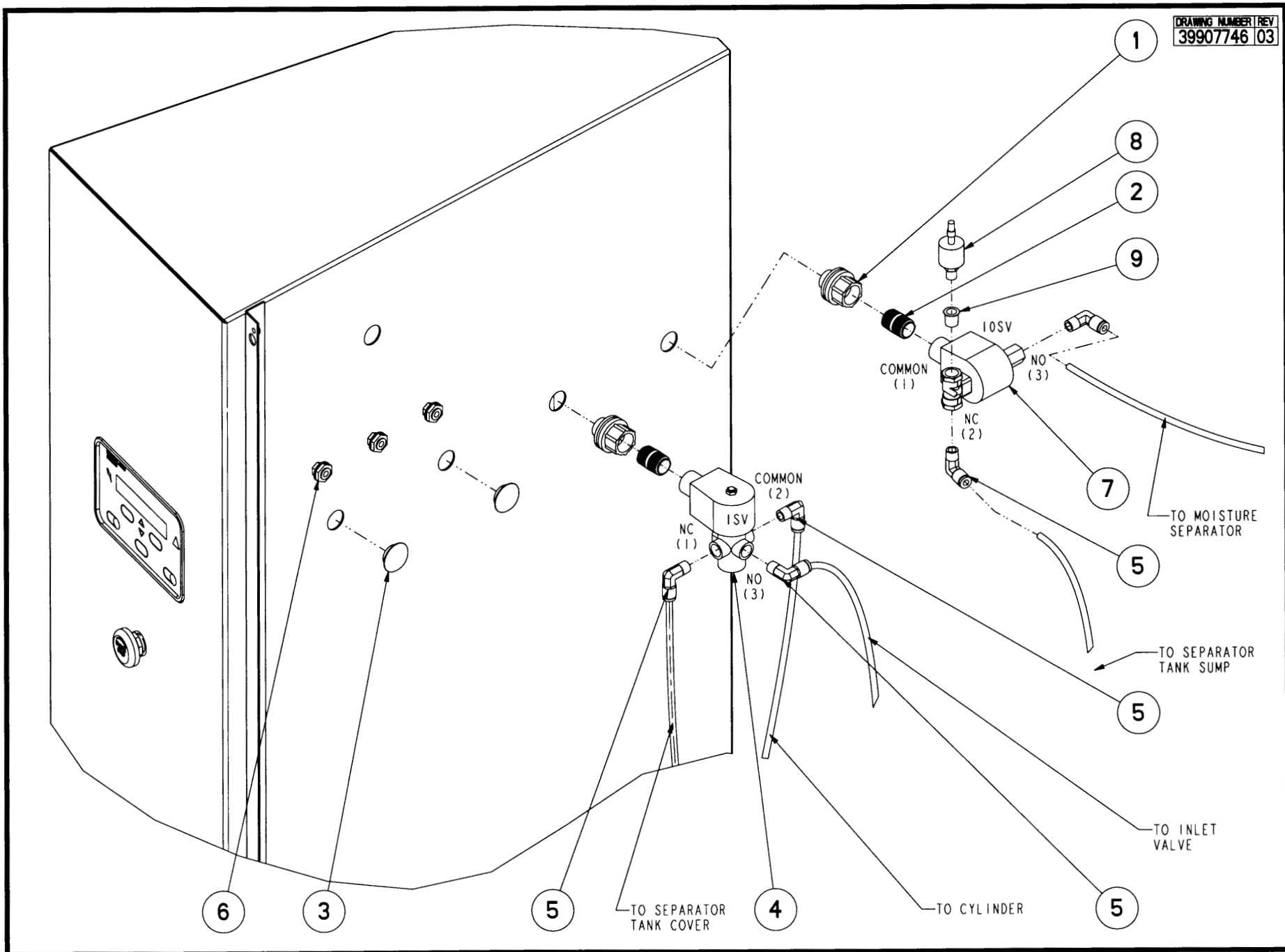
ALL TUBING IS PART NUMBER 39124813



CONTROL PIPING NEMA I WITH MODULATION

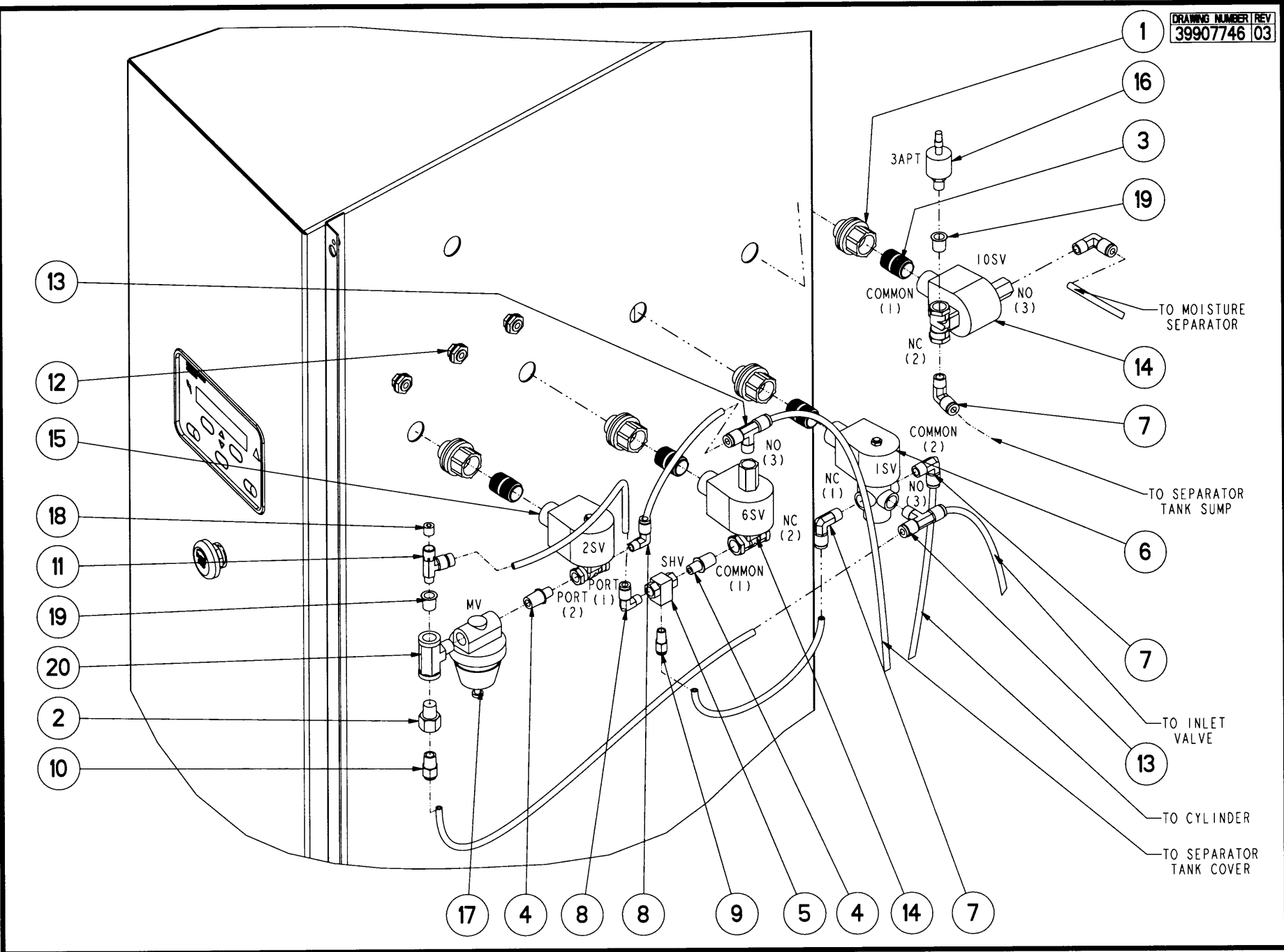
REF. NO.	PART NUMBER	QTY.	DESCRIPTION
1	35275494	4	HUB
2	37081528	1	ORIFICE, NPT .063 -
3	39108592	4	NIPPLE, .50 NPT X 1.19 LONG
4	39127253	1	NIPPLE, .25 NPT X .13 NPT BRASS
5	39127261	1	VALVE, SHUTTLE
6	39155478	2	ELBOW, .25 NPT X .25 TUBE
7	39155577	4	ELBOW, .13 NPT X .25 TUBE
8	39156385	1	TEE, BRANCH .13 NPT X .25 TUBE
9	39156393	1	CONNECTOR, .13 NPT X .25 TUBE
10	39156435	1	CONNECTOR, .25 NPT X .25 TUBE
11	39156468	1	TEE, RUN .13 NPT X .13 FNPT X .25 TUBE
12	39173927	3	GLAND, WIRE
13	39181342	1	TEE, BRANCH .25 NPT X .25 TUBE
14	39418926	1	VALVE, .25 NPT
15	39530852	1	VALVE, SOLENOID 3-WAY
16	39583943	2	VALVE, SOLENOID 3-WAY (DC COIL)
17	39853809	1	TRANSDUCER, PRESSURE
18	39905542	1	VALVE, REGULATOR (100 & 125 PSIG)
-	39905682	1	VALVE, REGULATOR (140 & 165 PSIG)
19	95343679	1	NIPPLE, .13 NPT X .75 LONG
20	95837233	1	PLUG, SOCKET .13 NPT -
21	95930301	1	BUSHING, REDUCER .25 NPT X .13 FNPT
22	95940672	1	TEE, BRANCH .25 FNPT X .25 NPT X .25 FNPT

ALL TUBING IS PART NUMBER 39124813



CONTROL PIPING NEMA 4 - NO MODULATION			
REF. NO.	PART NUMBER	QTY.	DESCRIPTION
1	35275494	2	HUB
2	39108592	2	NIPPLE, .50 NPT X 1.19 LONG
3	39140785	2	PLUG, LIQUID TIGHT .50 CONDUIT
4	39146741	1	VALVE, " .25 NPT
5	39155478	5	ELBOW, .25 NPT X .25 TUBE
6	39173927	3	GLAND, WIRE
7	39497672	1	VALVE, CONTROL 3 WAY NEMA 4
8	39853809	1	TRANSDUCER, PRESSURE
9	95930301	1	BUSHING, REDUCER .25 NPT X .13 FNPT

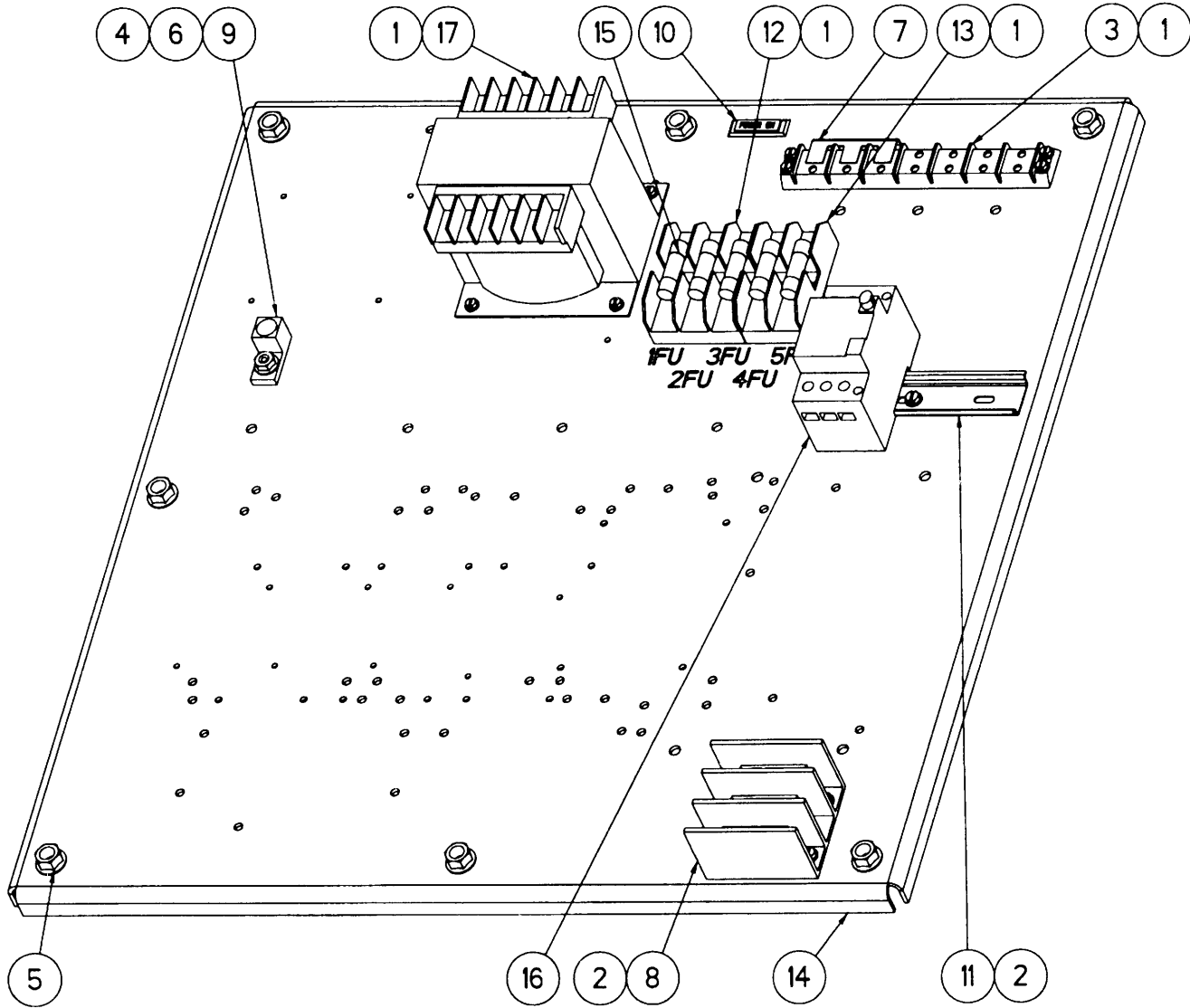
ALL TUBING IS PART NUMBER 39497847



CONTROL PIPING NEMA 4 WITH MODULATION

REF. NO.	PART NUMBER	QTY.	DESCRIPTION
1	35275494	4	HUB
2	37081528	1	ORIFICE, NPT .063 -
3	39108592	4	NIPPLE, .50 NPT X 1.19 LONG
4	39127253	2	NIPPLE, .25 NPT X .13 NPT BRASS
5	39127261	1	VALVE, SHUTTLE
6	39146741	1	VALVE, " .25 NPT
7	39155478	4	ELBOW, .25 NPT X .25 TUBE
8	39155577	2	ELBOW, .13 NPT X .25 TUBE
9	39156393	1	CONNECTOR, .13 NPT X .25 TUBE
10	39156435	1	CONNECTOR, .25 NPT X .25 TUBE
11	39156468	1	TEE, RUN .13 NPT X .13 FNPT X .25 TUBE
12	39173927	3	GLAND, WIRE
13	39181342	2	TEE, BRANCH .25 NPT X .25 TUBE
14	39497672	2	VALVE, CONTROL 3 WAY NEMA 4
15	39497680	1	VALVE, BLOWDOWN .13 NPT
16	39853809	1	TRANSDUCER, PRESSURE
17	39905542	1	VALVE, REGULATOR (100 & 125 PSIG)
-	39905682	1	VALVE, REGULATOR (140 & 165 PSIG)
18	95837233	1	PLUG, SOCKET .13 NPT -
19	95930301	2	BUSHING, REDUCER .25 NPT X .13 FNPT
20	95940672	1	TEE, BRANCH .25 FNPT X .25 NPT X .25 FNPT

ALL TUBING IS PART NUMBER 39497847



ELECTRICAL COMPONENTS, ALL UNITS

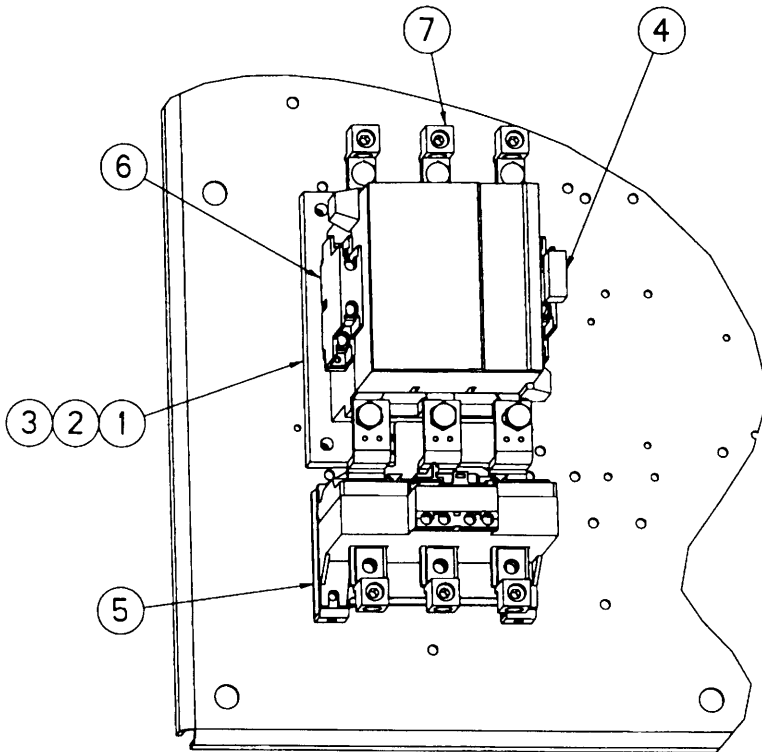
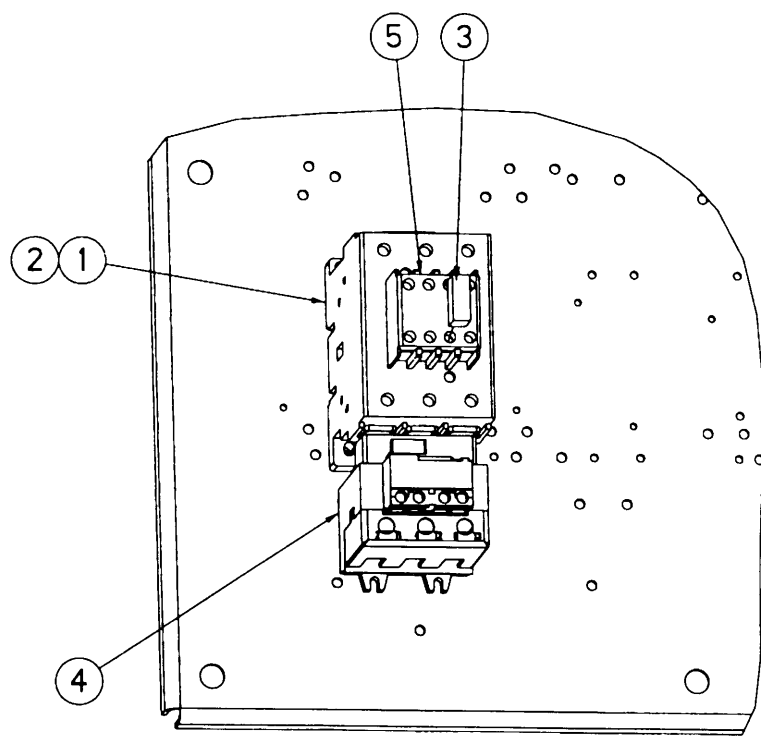
REF. NO.	PART NUMBER	QTY.	DESCRIPTION	COMMENTS
1	35249721	12	SCREW, SLOTTED WASHER HEAD TAPPING #8 X .63 LONG	
2	35252279	6	SCREW, SLOTTED WASHER HEAD TAPPING #10 X .50 LONG	
3	35267202	1	BLOCK, TERMINAL DOUBLE ROW - 14 TERMINALS	
4	39128541	1	NUT, WHIZ LOCK 25 ZINC PLATED	
5	39128566	7	NUT, FLANGE .38 ZINC PLATED	
6	39141809	1	SCREW, WASHER HEAD TAPPING .25 X .63 LONG	
7	39141999	1	JUMPER, TERMINAL 3-POSITION	
8	39164520	1	BLOCK, TERMINAL	
9	39190939	1	LUG, GROUNDING	
10	39196225	1	LIGHT, POWER ON	
11	39325485	1	DIN RAIL, 125 mm	
12	39479035	1	FUSE, HOLDER	
13	39480504	1	FUSE, HOLDER	
14	39899778	1	PANEL, STARTER	
15	SEE CHART	-	FUSE, VOLTS AMPS	SEE FUSE/TRANSFORMER CHART
16	SEE CHART	-	STARTER, FAN MOTOR	SEE FAN MOTOR STARTER CHART
17	SEE CHART	-	TRANSFORMER	SEE FUSE/TRANSFORMER CHART

FUSE/TRANSFORMER CHART

PART NUMBER	QTY.	DESCRIPTION	COMMENTS
BACKPANEL, FOR 60 HZ STARTER SIZES C43, C60 & C72			
39113535	3	FUSE, 250 VOLTS 2 AMPS	3FU, 4FU & 5FU
39178710	2	FUSE, REJECTION TYPE 600 VOLTS 18 AMPS	1FU & 2FU
39301981	1	TRANSFORMER 230 VA	
BACKPANEL, FOR 50 HZ STARTER SIZES C43, C60 & C72			
39113535	3	FUSE, 250 VOLTS 2 AMPS	3FU, 4FU & 5FU
39178710	2	FUSE, REJECTION TYPE 600 VOLTS 18 AMPS	1FU & 2FU
39318134	1	TRANSFORMER 50 HZ 230 VA	
BACKPANEL, FOR 60 HZ STARTER SIZES C85, B110, B180 & B250			
39113527	1	FUSE, 250 VOLTS 32 AMPS	3FU
39113535	2	FUSE, 250 VOLTS 2 AMPS	4FU & FU
39178728	2	FUSE, REJECTION TYPE 600 VOLTS 25 AMPS	1FU & 2FU
39491519	1	TRANSFORMER, CONTROL MULTI-TAP 60 HZ 330 VA	
BACKPANEL, FOR 50 HZ STARTER SIZES C85, B110, B180 & B250			
39113527	1	FUSE, 250 VOLTS 32 AMPS	3FU
39113535	2	FUSE, 250 VOLTS 2 AMPS	4FU & FU
39178728	2	FUSE, REJECTION TYPE 600 VOLTS 25 AMPS	1FU & 2FU
39318142	1	TRANSFORMER, CONTROL 330VA 50HZ	

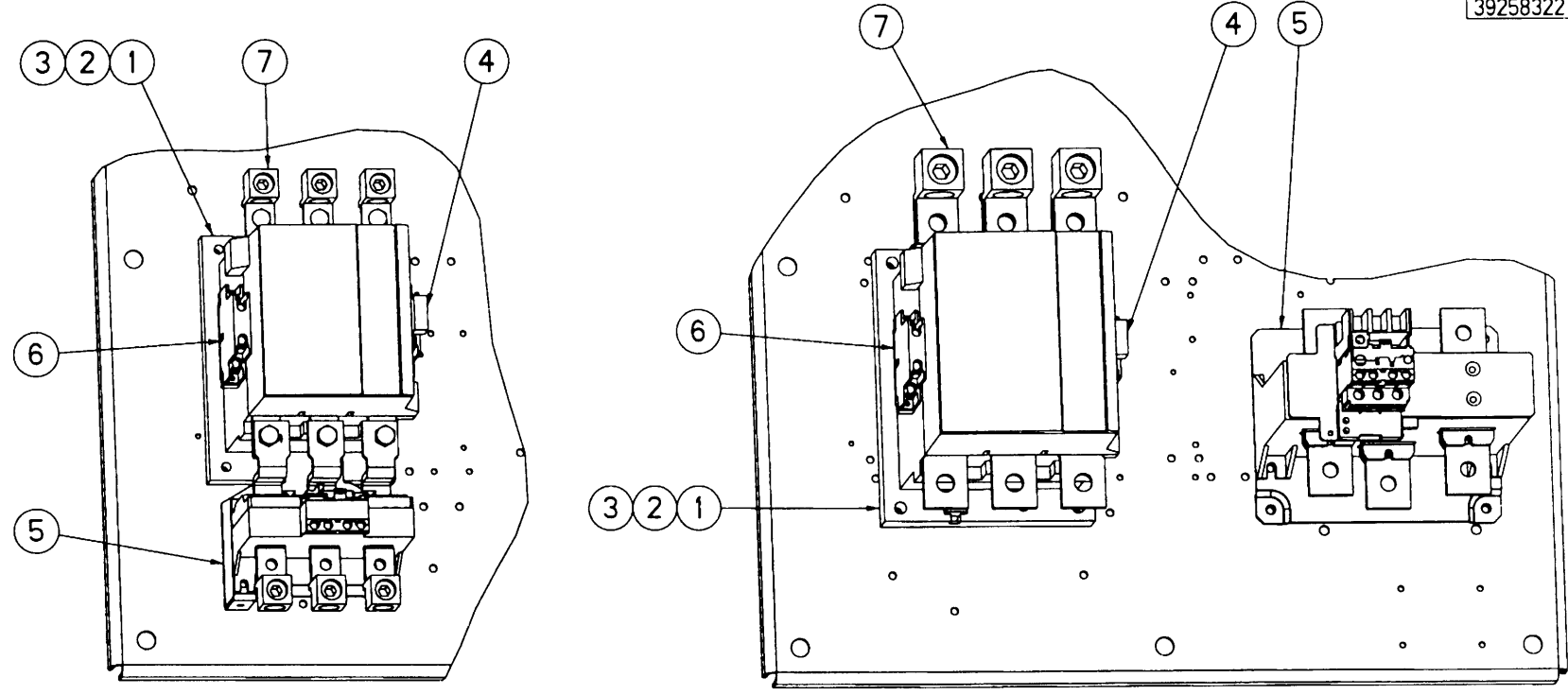
FAN MOTOR STARTER CHART

QTY.	PART NUMBER	DESCRIPTION
1	39251236	STARTER, FAN MOTOR 4.0 AMP MN0400
1	39251244	STARTER, FAN MOTOR 6.3 AMP MN0630
1	39251251	STARTER, FAN MOTOR 10.0 AMP MN1000
1	39251269	STARTER, FAN MOTOR 16.0 AMP MN1600
1	39251277	STARTER, FAN MOTOR 20.0 AMP MN2000



STARTER, C85 FULL VOLTAGE IEC			
REF. NO.	PART NUMBER	QTY.	DESCRIPTION
1	39251020	1	CONTACTOR, 85 AMP
2	39251335	1	COIL, CONTACTOR
3	39203443	1	ARC SUPPRESSOR
4	39251087	1	RELAY, OVER LOAD
5	39251129	1	SWITCH, AUXILIARY (4) NO

STARTER, B110 FULL VOLTAGE IEC			
REF. NO.	PART NUMBER	QTY.	DESCRIPTION
1	39251038	1	CONTACTOR, 110 AMP W/(1) N/O CONTACT
2	39251350	1	COIL, CONTACTOR
3	39251392	1	KIT, CONTACT
4	39203443	1	ARC SUPPRESSOR
5	39251095	1	RELAY, OVER LOAD
6	39251160	1	SWITCH, AUXILIARY (2) NO
7	39251434	6	LUG

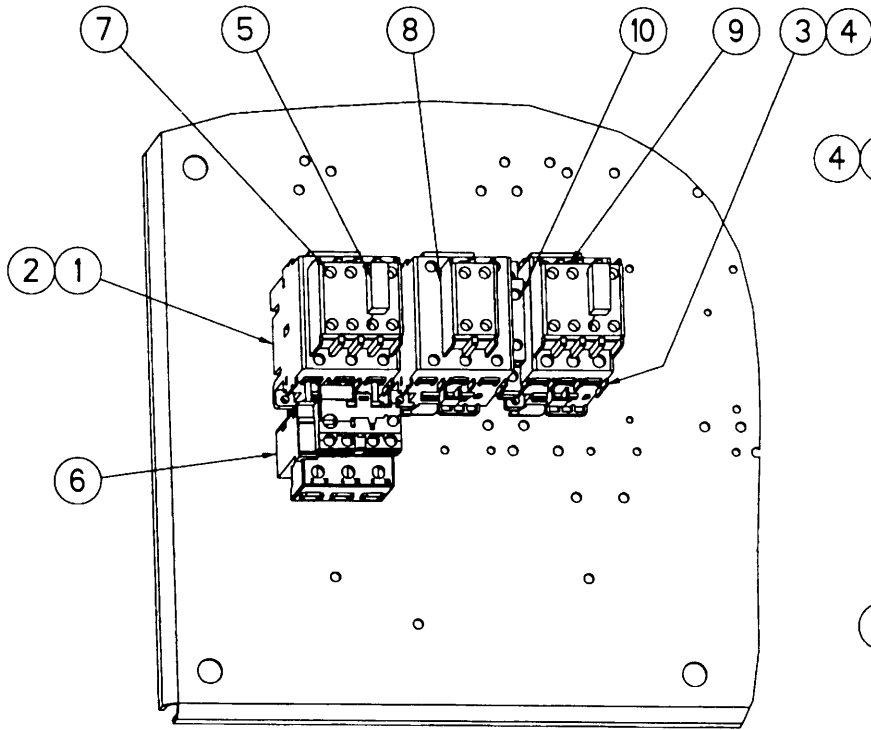


STARTER, B180 FULL VOLTAGE IEC

REF. NO.	PART NUMBER	QTY.	DESCRIPTION
1	39251046	1	CONTACTOR, 180 AMP W/(1) N/O CONTACT
2	39251368	1	COIL, CONTACTOR
3	39251400	1	KIT, CONTACT
4	39203443	1	ARC SUPPRESSOR
5	39251103	1	RELAY, OVER LOAD
6	39251160	1	SWITCH, AUXILIARY (2) NO
7	39251442	6	LUG

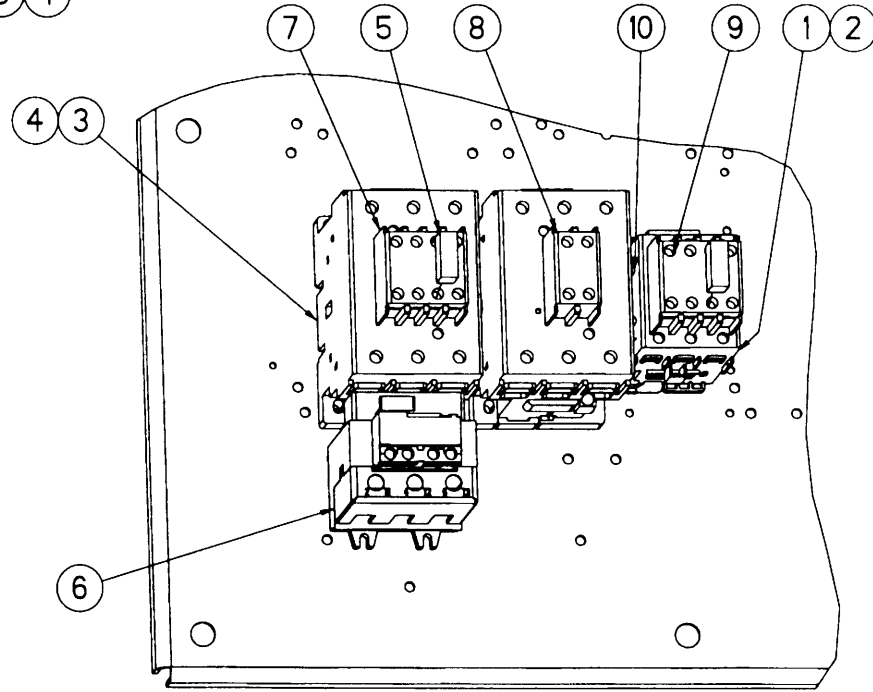
STARTER, B250 FULL VOLTAGE IEC

REF. NO.	PART NUMBER	QTY.	DESCRIPTION
1	39251053	1	CONTACTOR, 250 AMP W/(1) NO CONTACT
2	39251376	1	COIL, CONTACTOR
3	39251418	1	KIT, CONTACT
4	39203443	1	ARC SUPPRESSOR
5	39251111	1	RELAY, OVER LOAD
6	39251160	2	SWITCH, AUXILIARY (2) NO
7	39251459	3	LUG



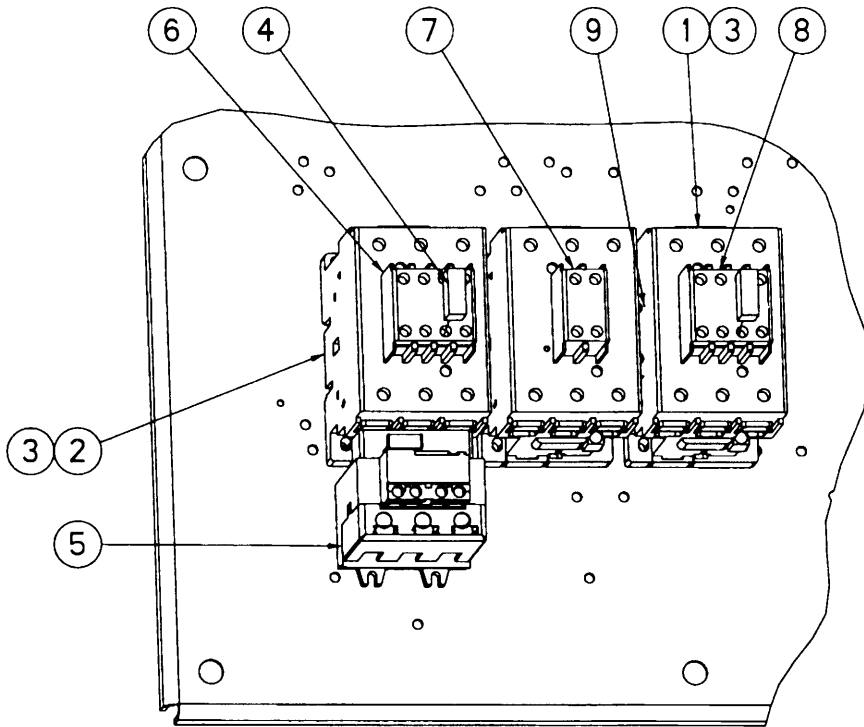
STARTER, C43 W/ C37 IS STAR-DELTA IEC

REF. NO.	PART NUMBER	QTY.	DESCRIPTION
1	39250998	2	CONTACTOR, 43 AMP
2	39251327	2	COIL, CONTACTOR
3	39251061	1	CONTACTOR, 37 AMP
4	39251319	1	COIL, CONTACTOR
5	39203443	2	ARC SUPPRESSOR
6	39251079	1	RELAY, OVER LOAD
7	39251129	1	SWITCH, AUXILIARY (4) NO
8	39251137	1	SWITCH, AUXILIARY (1) NO (1) NC
9	39251145	1	SWITCH, AUXILIARY (2) NO (2) NC
10	39251186	1	INTERLOCK, MECHANICAL



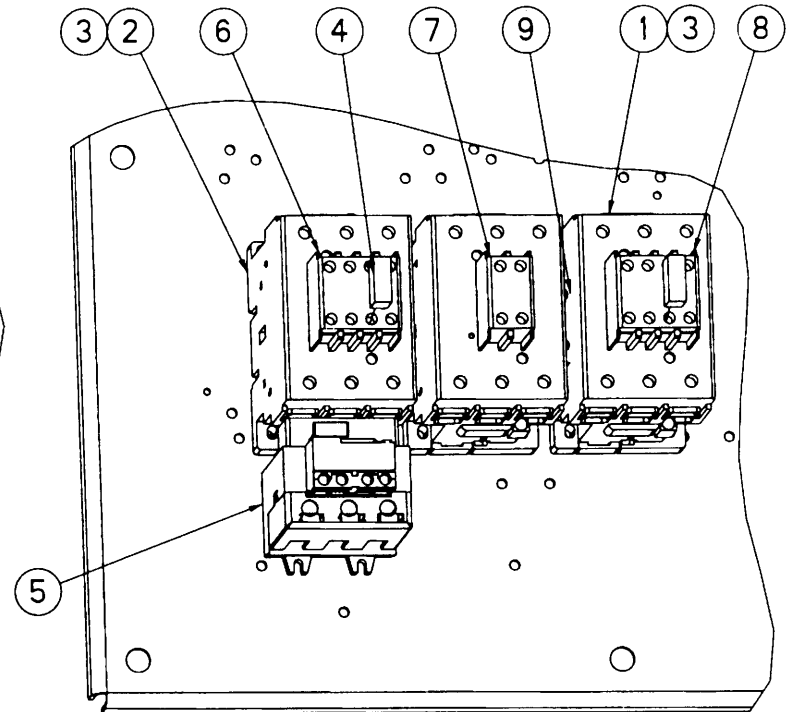
STARTER, C60 W/ C43 IS STAR-DELTA IEC

REF. NO.	PART NUMBER	QTY.	DESCRIPTION
1	39250998	1	CONTACTOR, 43 AMP
2	39251327	1	COIL, CONTACTOR
3	39251004	2	CONTACTOR, 60 AMP
4	39251335	2	COIL, CONTACTOR
5	39203443	2	ARC SUPPRESSOR
6	39251087	1	RELAY, OVER LOAD
7	39251129	1	SWITCH, AUXILIARY (4) NO
8	39251137	1	SWITCH, AUXILIARY (1) NO (1) NC
9	39251145	1	SWITCH, AUXILIARY (2) NO (2) NC
10	39251186	1	INTERLOCK, MECHANICAL



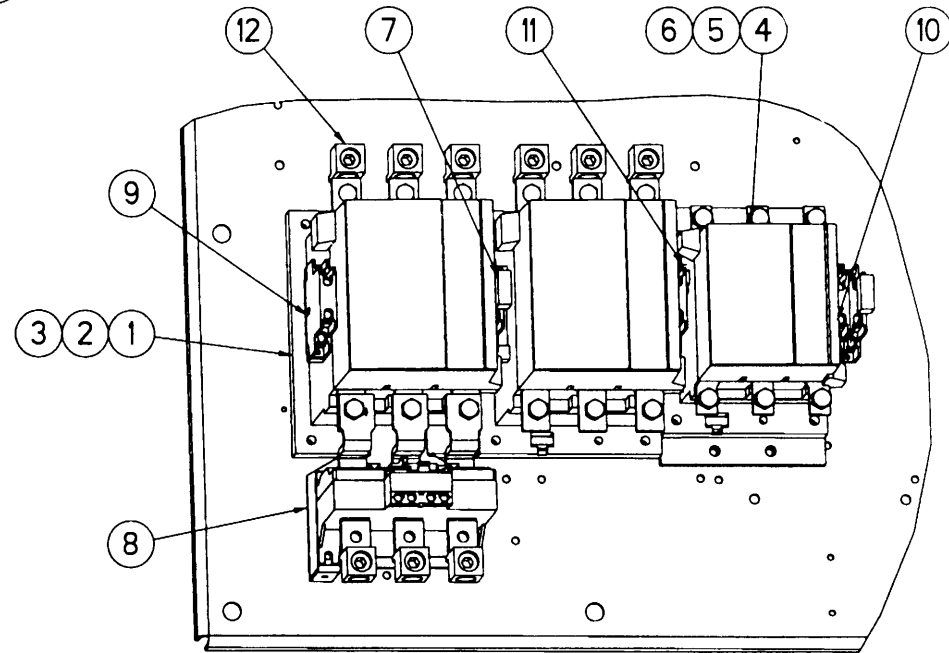
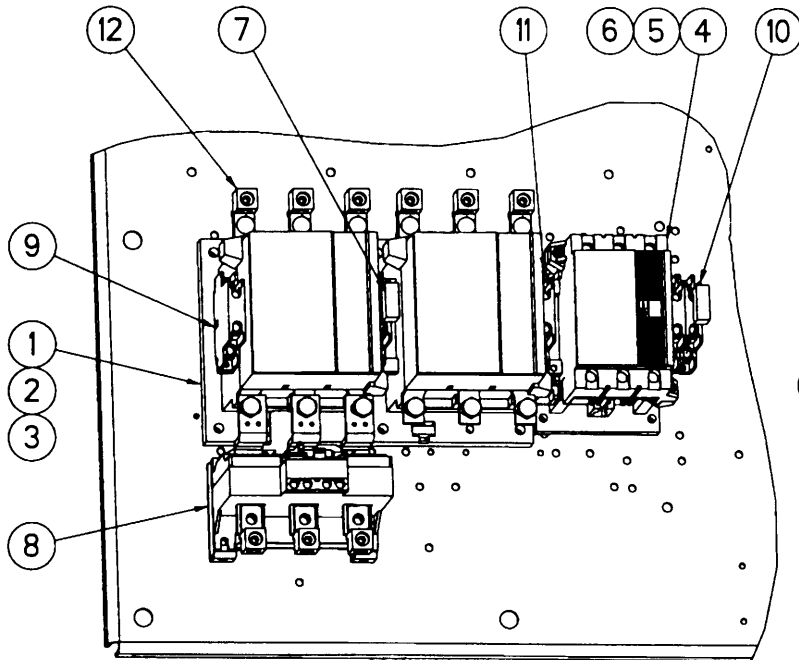
STARTER, C72 W/ C60 IS STAR-DELTA IEC

REF. NO.	PART NUMBER	QTY.	DESCRIPTION
1	39251004	1	CONTACTOR, 60 AMP
2	39251012	2	CONTACTOR, 72 AMP
3	39251335	3	COIL, CONTACTOR
4	39203443	2	ARC SUPPRESSOR
5	39251087	1	RELAY, OVER LOAD
6	39251129	1	SWITCH, AUXILIARY (4) NO
7	39251137	1	SWITCH, AUXILIARY (1) NO (1) NC
8	39251145	1	SWITCH, AUXILIARY (2) NO (2) NC
9	39251186	1	INTERLOCK, MECHANICAL



STARTER, C85 W/ C60 IS STAR-DELTA IEC

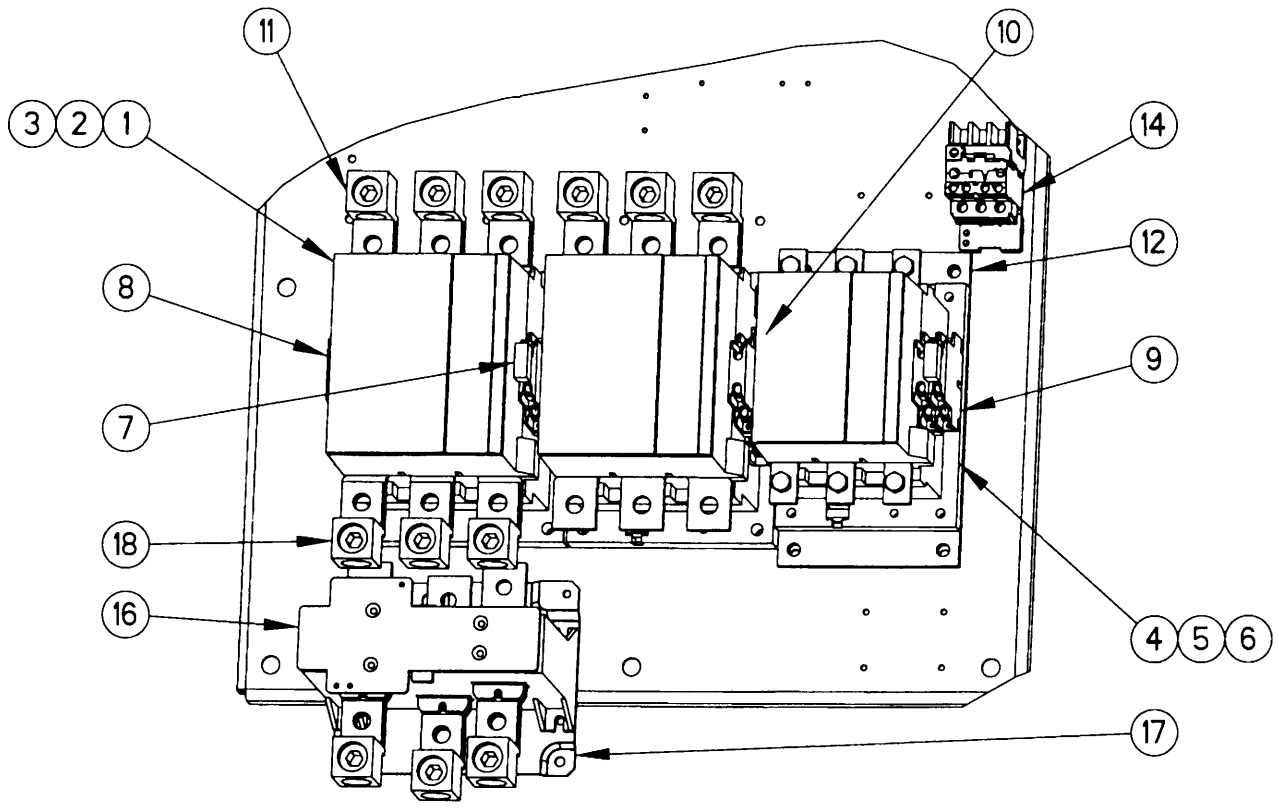
REF. NO.	PART NUMBER	QTY.	DESCRIPTION
1	39251004	1	CONTACTOR, 60 AMP
2	39251020	2	CONTACTOR, 85 AMP
3	39251335	3	COIL, CONTACTOR
4	39203443	2	ARC SUPPRESSOR
5	39251087	1	RELAY, OVER LOAD
6	39251129	1	SWITCH, AUXILIARY (4) NO
7	39251137	1	SWITCH, AUXILIARY (1) NO (1) NC
8	39251145	1	SWITCH, AUXILIARY (2) NO (2) NC
9	39251186	1	INTERLOCK, MECHANICAL

DRAWING NUMBER: 39258306
 REV: 01

STARTER, B110 W/ A75 1S STAR-DELTA IEC

REF. NO.	PART NUMBER	QTY.	DESCRIPTION
1	39251038	2	CONTACTOR, 110 AMP W/(1) N/O CONTACT
2	39251350	2	COIL, CONTACTOR
3	39251392	2	KIT, CONTACT
4	39251525	1	CONTACTOR, 75 AMP W/(1) N/O CONTACT
5	39251343	1	COIL, CONTACTOR
6	39251384	1	KIT, CONTACT
7	39203443	2	ARC SUPPRESSOR
8	39251095	1	RELAY, OVER LOAD
9	39251160	1	SWITCH, AUXILIARY (2) NO
10	39251178	1	SWITCH, AUXILIARY (1) NO (1) NC
11	39251194	1	INTERLOCK, MECHANICAL
12	39251434	9	LUG

STARTER, B180 W/ B110 1S STAR-DELTA IEC

REF. NO.	PART NUMBER	QTY.	DESCRIPTION
1	39251046	2	CONTACTOR, 180 AMP W/(1) N/O CONTACT
2	39251368	2	COIL, CONTACTOR
3	39251400	2	KIT, CONTACT
4	39251038	1	CONTACTOR, 110 AMP W/(1) N/O CONTACT
5	39251350	1	COIL, CONTACTOR
6	39251392	1	KIT, CONTACT
7	39203443	2	ARC SUPPRESSOR
8	39251103	1	RELAY, OVER LOAD
9	39251160	1	SWITCH, AUXILIARY (2) NO
10	39251178	1	SWITCH, AUXILIARY (1) NO (1) NC
11	39251194	1	INTERLOCK, MECHANICAL
12	39251442	9	LUG

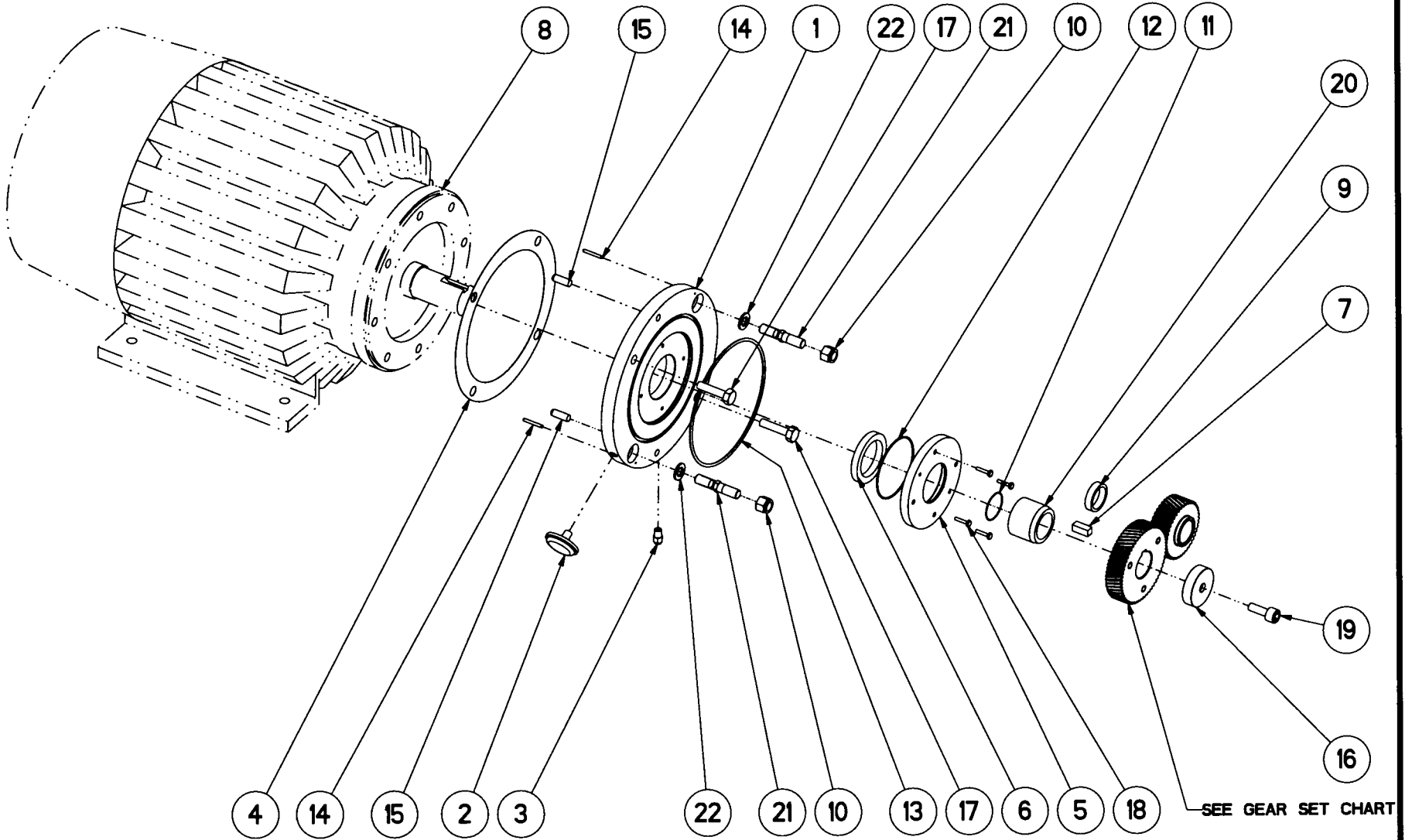


STARTER, B250 W/ B180 1S STAR-DELTA IEC

REF. NO.	PART NUMBER	QTY.	DESCRIPTION
1	39251053	2	CONTACTOR, 250 AMP W/(1) NO CONTACT
2	39251376	2	COIL, CONTACTOR
3	39251418	2	KIT, CONTACT
4	39251046	1	CONTACTOR, 180 AMP W/(1) N/O CONTACT
5	39251368	1	COIL, CONTACTOR
6	39251400	1	KIT, CONTACT
7	39203443	2	ARC SUPPRESSOR
8	39251160	1	SWITCH, AUXILIARY (2) NO
9	39251178	1	SWITCH, AUXILIARY (1) NO (1) NC
10	39251194	1	INTERLOCK, MECHANICAL

STARTER, B250 W/ B180 1S STAR-DELTA IEC

REF. NO.	PART NUMBER	QTY.	DESCRIPTION
11	39251459	9	LUG
12	39251921	1	PLATE, ADAPTER
13	39253133	4	SPACER, MOUNTING PLATE
14	39253158	1	RELAY, OVER LOAD
15	39253166	1	ADAPTER, OVERLOAD RELAY
16	39253174	1	TRANSFORMER, CURRENT
17	39253182	1	PLATE, MOUNTING
18	39253190	3	LUG



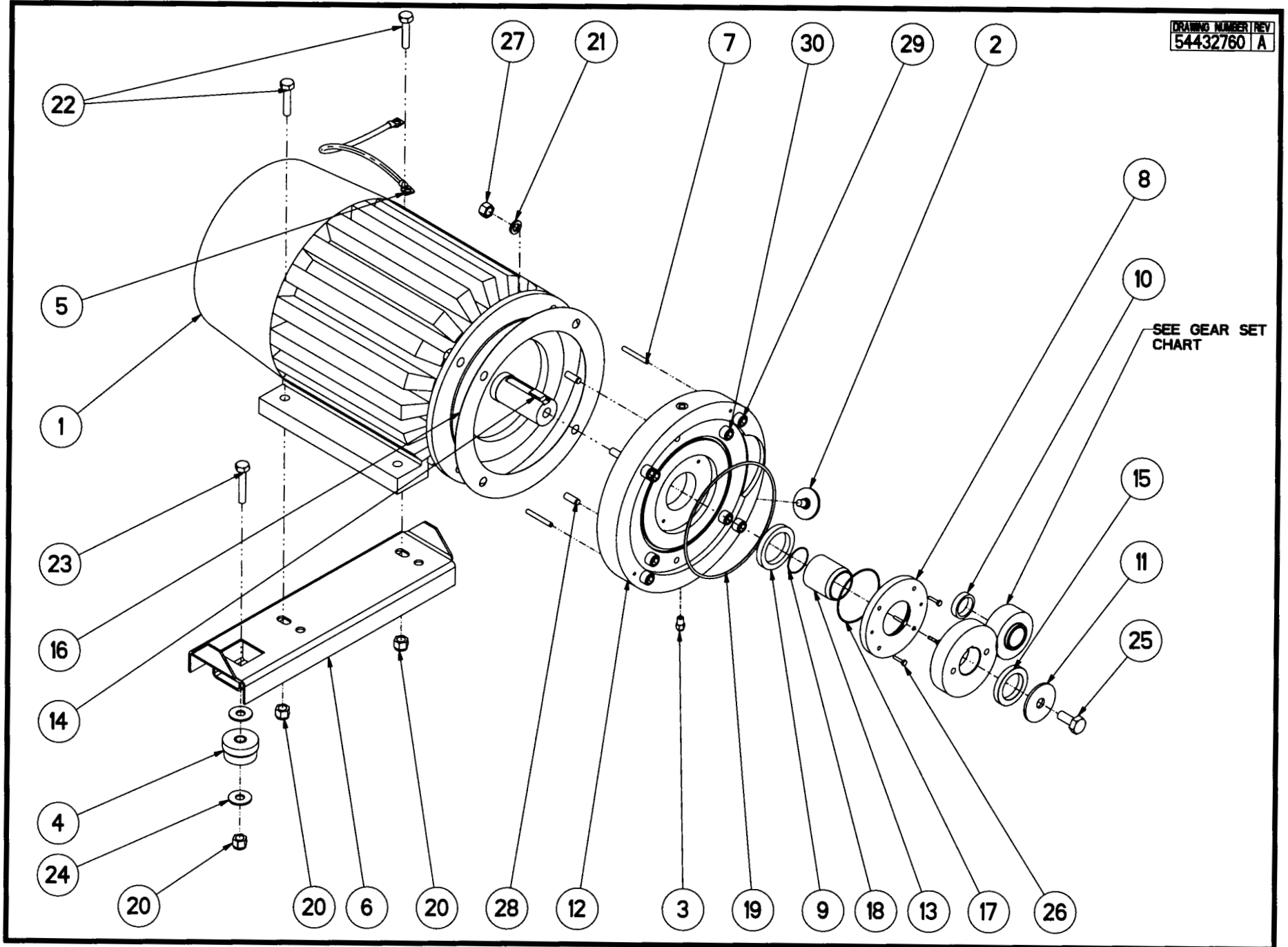
ASSEMBLY, 50-60HP MOTOR/GEAR

REF. NO.	PART NUMBER	QTY.	DESCRIPTION
1	39860846	1	ADAPTER, MOTOR
2	39111893	1	BREATHER, FILTER
3	39156435	1	CONNECTOR
4	39457411	1	GASKET, MOTOR
5	88142427	1	HOUSING, SEAL
6	88142450	1	HOUSING, SEAL
7	95410734	1	KEY, SQUARE BOTH ENDS
8	-	1	MOTOR, DRIVE
9	88143664	1	NUT
10	95923355	2	NUT, HEX LIGHT SELF-LOCKING
11	95061024	1	ORING, STANDARD -032
12	95023107	1	ORING, STANDARD -156
13	95656294	1	ORING, STANDARD -372
14	95481859	2	PIN, DOWEL HARDENED GROUND MACHINE
15	95239927	2	PIN, PARALLEL (DOWEL), HARDENED
16	54396122	1	RING, GEAR RETAINER
17	95934519	2	SCREW, CAP HEX HEAD
18	96702246	4	SCREW, HEX HEAD
19	95929170	1	SCREW, SOCKET HEAD CAP
20	54396114	1	SLEEVE, SHAFT
21	54420385	2	STANDOFF, MOTOR ADAPTER
22	96705645	2	WASHER, PRODUCT

GEAR SETS

REF. NO.	PART NUMBER	QTY.	DESCRIPTION
-	54403837	1	GEAR SET 1.167 RATIO HPE50
-	54403829	1	GEAR SET 1.213 RATIO EP50
-	54403811	1	GEAR SET 1.311 RATIO XFE50
-	54403902	1	GEAR SET 1.364 RATIO HP60
-	54403894	1	GEAR SET 1.419 RATIO EP60
-	54403886	1	GEAR SET 1.537 RATIO XF60

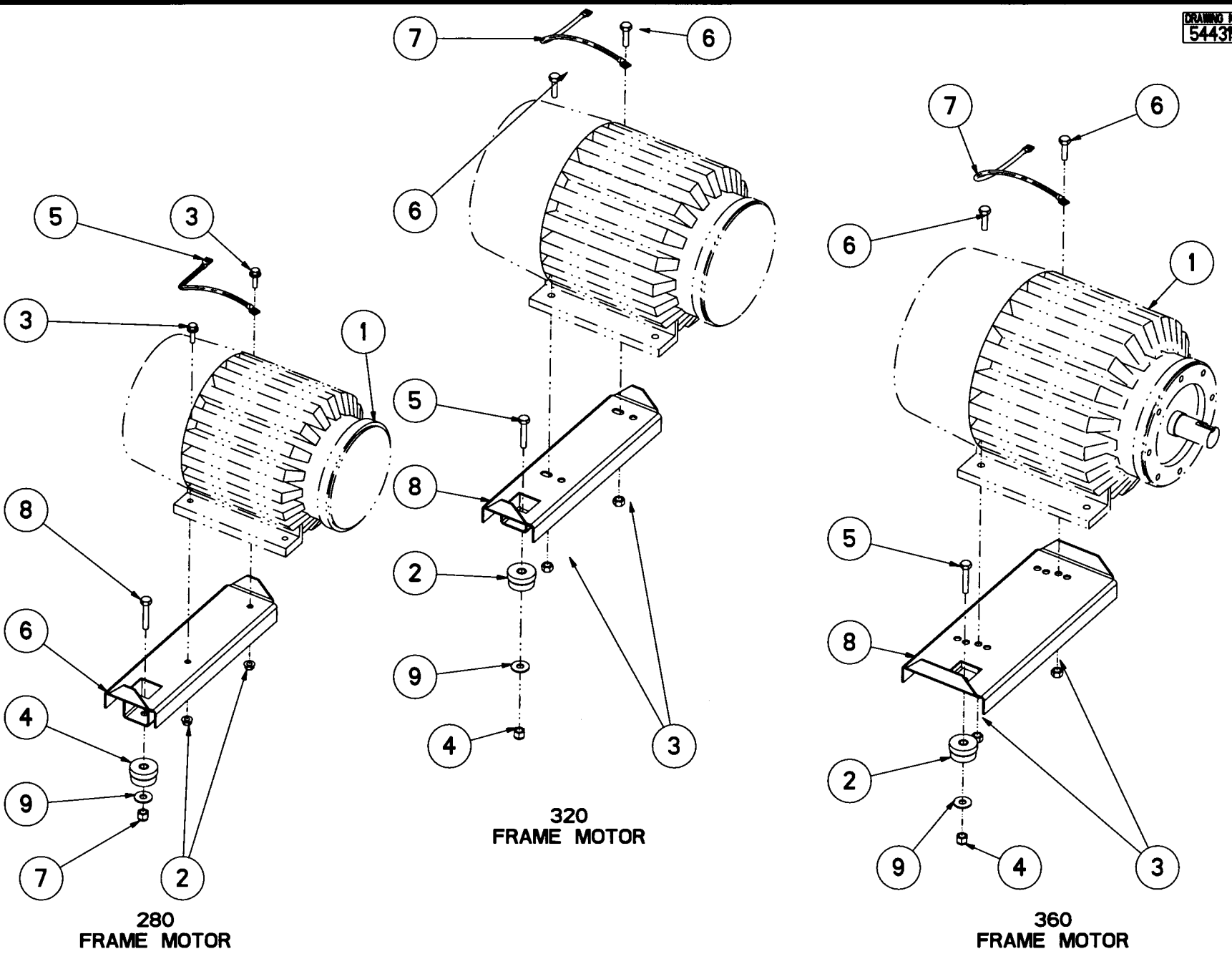
*** FURNISH MOTOR PART NUMBER WHEN ORDERING REPLACEMENT



ASSEMBLY, 37-45KW MOTOR/GEAR			
REF. NO.	PART NUMBER	QTY.	DESCRIPTION
1	-	1	MOTOR, DRIVE
2	39111893	1	BREATHER, FILTER
3	39156435	1	CONNECTOR,
4	39326210	1	MOUNT, CENTER BONDED
5	39479860	1	STRAP, GROUNDING
6	54415245	1	SUPPORT, MOTOR
7	88115977	2	DOWEL, PIN
8	88142427	1	HOUSING, SEAL
9	88142450	1	HOUSING, SEAL
10	88143664	1	NUT
11	92898147	1	PLATE, RETAINING
12	93472215	1	ADAPTER, PLATE
13	93481331	1	SLEEVE, SHAFT
14	93481349	1	KEY, DRIVE, 16 X 10
15	93481356	1	RING, RETAINING
16	93481364	1	GASKET, SEAL
17	95023107	1	ORING, STANDARD -156
18	95070272	1	ORING, STANDARD -033
19	95720272	1	ORING, STANDARD -374
20	95923355	3	NUT, HEX LIGHT SELF-LOCKING
21	95929188	4	WASHER, LOCK
22	95934154	2	SCREW, CAP HEX HEAD
23	95934170	1	SCREW, CAP HEX HEAD
24	95947651	2	WASHER, PLAIN TYPE A
25	96700901	1	SCREW, HEX HEAD
26	96702246	4	SCREW, HEX HEAD
27	96711882	4	NUT, HEX STYLE 1
28	96739743	2	PIN, PARALLEL (DOWEL), HARDENED
29	96739834	4	SCREW, SOCKET HEAD
30	96739966	4	SCREW, SOCKET HEAD

GEAR SETS			
REF. NO.	PART NUMBER	QTY.	DESCRIPTION
1	88101936	1	GEAR SET 1.53658 RATIO ML37
2	88101944	1	GEAR SET 1.3636 RATIO MH37
3	88101985	1	GEAR SET 1.8108 RATIO ML45
4	88115647	1	GEAR SET 1.600 RATIO MH45
5	88115720	1	GEAR SET 1.476 RATIO MM37
6	88115746	1	GEAR SET 1.737 RATIO MM45

*** FURNISH MOTOR PART NUMBER WHEN ORDERING REPLACEMENT



280
FRAME MOTOR

320
FRAME MOTOR

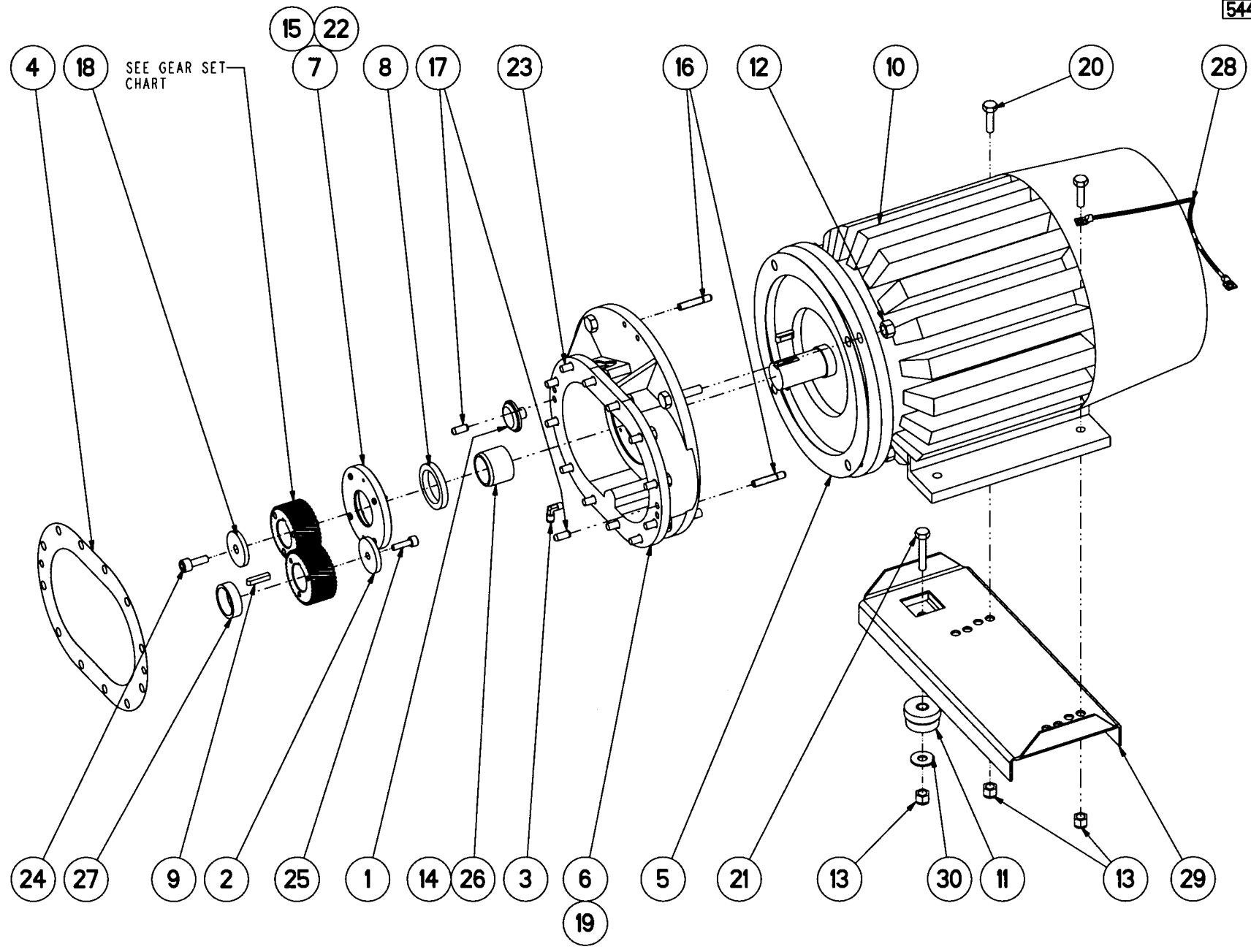
360
FRAME MOTOR

280 FRAME MOTOR & SUPPORT			
REF. NO.	PART NUMBER	QTY.	DESCRIPTION
1	-	1	MOTOR, DRIVE
2	39116348	2	NUT, FLANGE
3	39128517	2	SCREW, WHIZ LOCK
4	39326210	1	MOUNT, CENTER BONDED
5	39479860	1	STRAP, GROUNDING
6	39899943	1	SUPPORT, MOTOR
7	95923355	1	NUT, HEX LIGHT SELF-LOCKING
8	95934170	1	SCREW, CAP HEX HEAD
9	95947651	1	WASHER, PLAIN TYPE A

360 FRAME MOTOR & SUPPORT			
REF. NO.	PART NUMBER	QTY.	DESCRIPTION
1	-	1	MOTOR, DRIVE
2	39326210	1	MOUNT, CENTER BONDED
3	95923355	2	NUT, HEX
4	95923355	1	NUT, HEX LIGHT SELF-LOCKING
5	95934170	1	SCREW, CAP HEX HEAD
6	95930723	2	SCREW, HEX HEAD
7	39479860	1	STRAP, GROUNDING
8	39899927	1	SUPPORT, MOTOR
9	95947651	1	WASHER, PLAIN TYPE A

320 FRAME MOTOR & SUPPORT			
REF. NO.	PART NUMBER	QTY.	DESCRIPTION
1	-	1	MOTOR, DRIVE
2	39326210	1	MOUNT, CENTER BONDED
3	95923355	2	NUT, HEX
4	95923355	1	NUT, HEX LIGHT SELF-LOCKING
5	95934170	1	SCREW, CAP HEX HEAD
6	95930723	2	SCREW, HEX HEAD
7	39479860	1	STRAP, GROUNDING
8	54415245	1	SUPPORT, MOTOR
9	95947651	1	WASHER, PLAIN TYPE A

DRAWING NUMBER | REV
54435904 | A



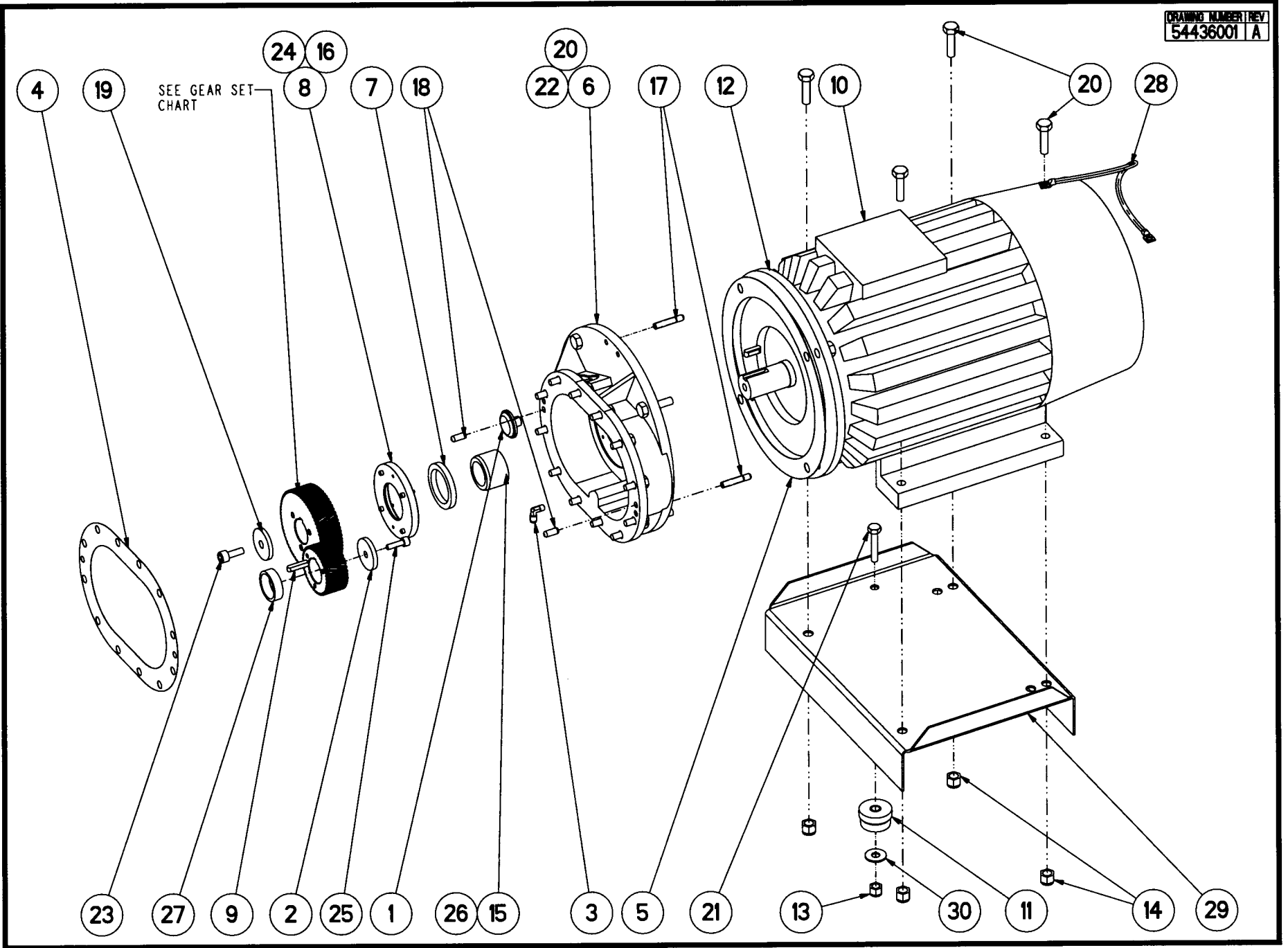
ASSEMBLY, 75HP MOTOR/GEAR

REF. NO.	PART NUMBER	QTY.	DESCRIPTION
1	39112362	1	BREATHER, FILTER
2	35255827	1	CLAMP, GEAR
3	39155478	1	ELBOW, .25 NPT X .25 TUBE
4	39437637	1	GASKET, GEAR CASE
5	35258573	1	GASKET, GEARCASE MOTOR
6	39791744	1	GEARCASE, 364/365 FRAME
7	88142427	1	HOUSING, SEAL CF90
8	88142450	1	HOUSING, SEAL CF90
9	95381109	1	KEY, SQUARE .38 X .38 X 1.88 NONE
10	-	1	MOTOR, DRIVE 365TSD TEFCT TYPE
11	35318229	1	MOUNT
12	95922928	4	NUT, HEX FINISHED .75 UNC-2B
13	95923355	3	NUT, HEX LIGHT SELF-LOCKING .63-11UNC
14	95070611	1	ORING, STANDARD -034 2.125 ID X 2.062 WIDTH
15	95023107	1	ORING, STANDARD -156 4.250 ID X 4.094 WIDTH
16	39194915	2	PIN, DOWEL
17	95239919	2	PIN, DOWEL HARDENED GROUND MACHINE .1.50 DIA. X 1.25
18	39109129	1	PLATE, RETAINER
19	95929097	4	SCREW, CAP HEX HEAD .75 X 2.75 LONG
20	95930723	2	SCREW, CAP HEX HEAD .63 X 2.00 LONG
21	95934170	1	SCREW, CAP HEX HEAD .63 X 3.00 LONG
22	96702246	4	SCREW, HEX HEAD M6 X 25.0 LONG
23	96702337	12	SCREW, HEX HEAD M16 X 40.0 LONG
24	95013785	1	SCREW, SOCKET HEAD CAP .63 X 1.50 LONG
25	95929162	1	SCREW, SOCKET HEAD CAP .50 X 1.50 LONG
26	54429782	1	SLEEVE, SHAFT, 178 60HZ
27	35262716	1	SPACER, BEARING
28	39479860	1	STRAP, GROUND
29	39899927	1	SUPPORT, MOTOR 360 FRAME MOTOR
30	95947651	1	WASHER, PLAIN TYPE A FLAT WIDE, .63

GEAR SETS

REF. NO.	PART NUMBER	QTY.	DESCRIPTION
1	39109533	1	GEAR SET HP75
2	39761770	1	GEAR SET EP75
3	39829262	1	GEAR SET XP75
4	39868260	1	GEAR SET XF75

*** FURNISH MOTOR PART NUMBER WHEN ORDERING REPLACEMENT



ASSEMBLY, 55KW MOTOR/GEAR

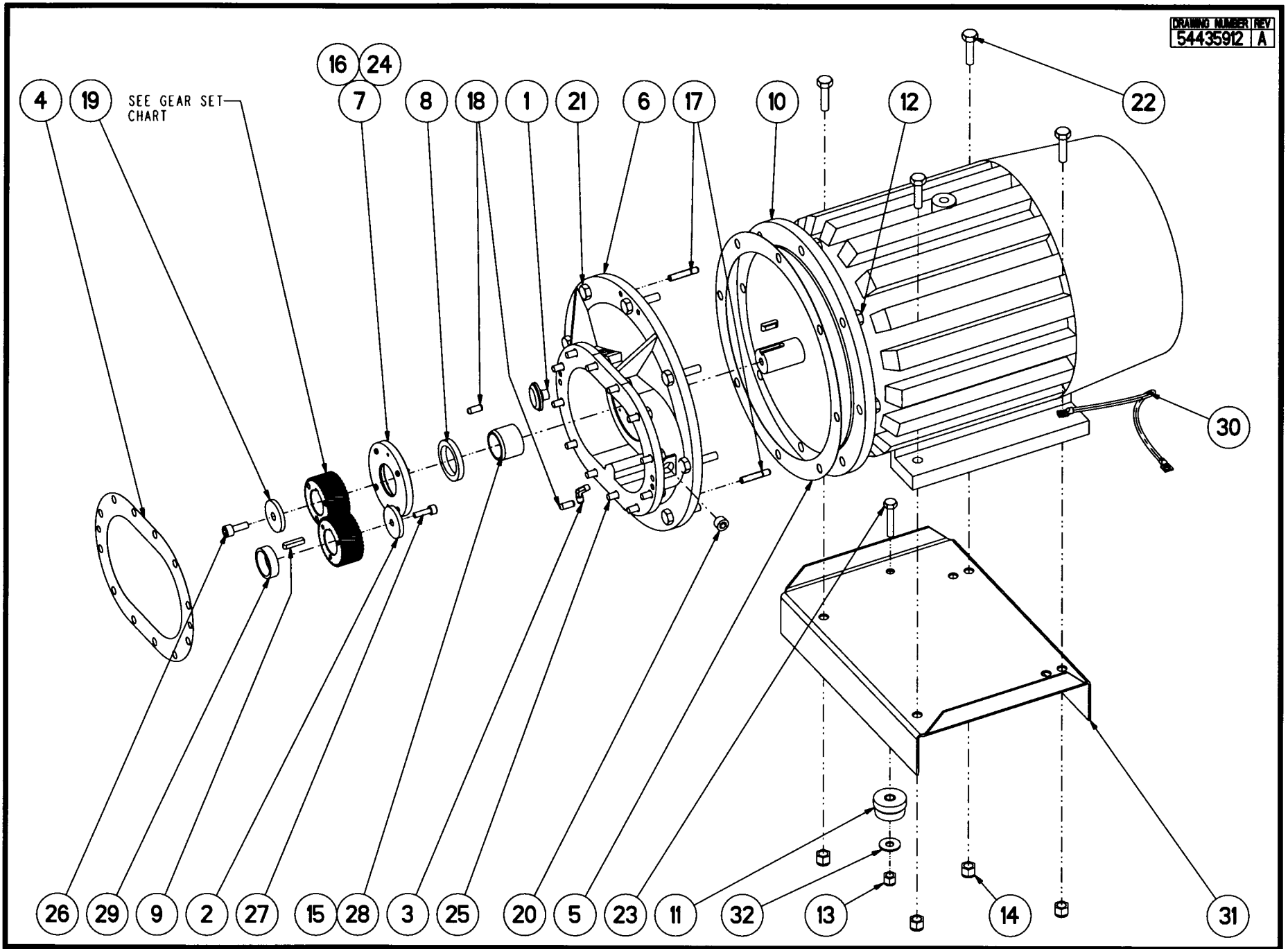
REF. NO.	PART NUMBER	QTY.	DESCRIPTION
1	39112362	1	BREATHER, FILTER
2	35255827	1	CLAMP, GEAR
3	39155478	1	ELBOW, .25 NPT X .25 TUBE
4	39437637	1	GASKET, GEAR CASE
5	35258573	1	GASKET, GEARCASE MOTOR
6	39791744	1	GEARCASE, 364/365 FRAME
7	89244024	1	HOUSING, SEAL CF90
8	89244040	1	HOUSING, SEAL CF90
9	95381109	1	KEY, SQUARE .38 X .38 X 1.88 NONE
10	-	1	MOTOR, DRIVE TEFCT TYPE
11	35318229	1	MOUNT
12	95922928	4	NUT, HEX FINISHED .75 UNC-2B
13	95923355	1	NUT, HEX LIGHT SELF-LOCKING .63-11UNC
14	95923363	4	NUT, HEX LIGHT SELF-LOCKING .75-10UNC
15	95070611	1	ORING, STANDARD -034 2.125 ID X 2.062 WIDTH
16	95023107	1	ORING, STANDARD -156 4.250 ID X 4.094 WIDTH
17	39194915	2	PIN, DOWEL
18	95239919	2	PIN, DOWEL HARDENED GROUND MACHINE .1.50 DIA. X 1.25
19	39109129	1	PLATE, RETAINER
20	95929105	8	SCREW, CAP HEX HEAD .75 X 2.50 LONG
21	95934170	1	SCREW, CAP HEX HEAD .63 X 3.00 LONG
22	96702337	12	SCREW, HEX HEAD M16 X 40.0 LONG
23	95013785	1	SCREW, SOCKET HEAD CAP .63 X 1.50 LONG
24	95929154	4	SCREW, SOCKET HEAD CAP .25 X 1.00 LONG
25	95929162	1	SCREW, SOCKET HEAD CAP .50 X 1.50 LONG
26	89245286	1	SLEEVE, SHAFT, 178 60HZ
27	35262716	1	SPACER, BEARING
28	39479860	1	STRAP, GROUND
29	39899919	1	SUPPORT, MOTOR 400 FRAME MOTOR
30	95947651	1	WASHER, PLAIN TYPE A FLAT WIDE, .63

GEAR SETS

REF. NO.	PART NUMBER	QTY.	DESCRIPTION
1	39109806	1	GEAR SET MH55
2	39752944	1	GEAR SET MM55
3	39756424	1	GEAR SET ML55

*** FURNISH MOTOR PART NUMBER WHEN ORDERING REPLACEMENT

DRAWING NUMBER | REV |
54435912 | A



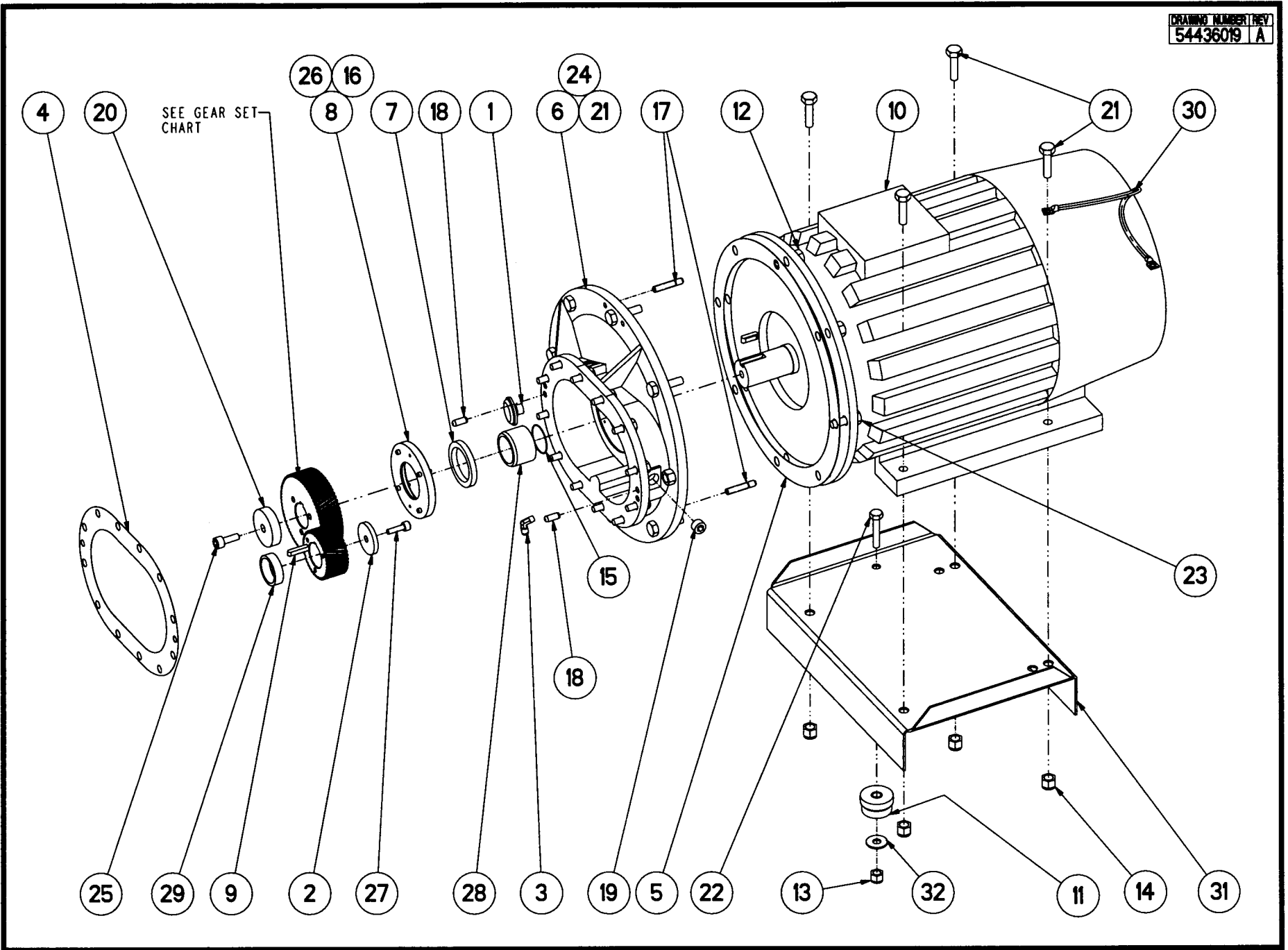
ASSEMBLY, 100HP MOTOR/GEAR

REF. NO.	PART NUMBER	QTY.	DESCRIPTION
1	39112362	1	BREATHER, FILTER
2	35255827	1	CLAMP, GEAR
3	39155478	1	ELBOW, .25 NPT X .25 TUBE
4	39437637	1	GASKET, GEAR CASE
5	39454558	1	GASKET, GEARCASE MOTOR
6	39791751	1	GEARCASE, 404/405 FRAME
7	88142427	1	HOUSING, SEAL CF90
8	88142450	1	HOUSING, SEAL CF90
9	95381109	1	KEY, SQUARE .38 X .38 X 1.88 NONE
10	**	1	MOTOR, DRIVE 405TSD TEFCT,CTE TYPE
11	35318229	1	MOUNT
12	95922928	8	NUT, HEX FINISHED .75 UNC-2B
13	95923355	1	NUT, HEX LIGHT SELF-LOCKING .63-11UNC
14	95923363	4	NUT, HEX LIGHT SELF-LOCKING .75-10UNC
15	95070611	1	ORING, STANDARD -034 2.125 ID X 2.062 WIDTH
16	95023107	1	ORING, STANDARD -156 4.250 ID X 4.094 WIDTH
17	39194915	2	PIN, DOWEL
18	95239919	2	PIN, DOWEL HARDENED GROUND MACHINE .1.50 DIA. X 1.25
19	39109129	1	PLATE, RETAINER
20	95947149	1	PLUG, SOCKET .75 NPT
21	95929097	8	SCREW, CAP HEX HEAD .75 X 2.75 LONG
22	95929105	4	SCREW, CAP HEX HEAD .75 X 2.50 LONG
23	95934170	1	SCREW, CAP HEX HEAD .63 X 3.00 LONG
24	96702246	4	SCREW, HEX HEAD M6 X 25.0 LONG
25	96702337	12	SCREW, HEX HEAD M16 X 40.0 LONG
26	95013785	1	SCREW, SOCKET HEAD CAP .63 X 1.50 LONG
27	95929162	1	SCREW, SOCKET HEAD CAP .50 X 1.50 LONG
28	54429782	1	SLEEVE, SHAFT, 178 60HZ
29	35262716	1	SPACER, BEARING
30	39479860	1	STRAP, GROUND
31	39899919	1	SUPPORT, MOTOR 400 FRAME MOTOR
32	95947651	1	WASHER, PLAIN TYPE A FLAT WIDE, .63

GEAR SETS

REF. NO.	PART NUMBER	QTY.	DESCRIPTION
1	39109814	1	GEAR SET HP100
2	39109848	1	GEAR SET EP100
3	39752928	1	GEAR SET XF100
4	39868260	1	GEAR SET XP100

*** FURNISH MOTOR PART NUMBER WHEN ORDERING REPLACEMENT

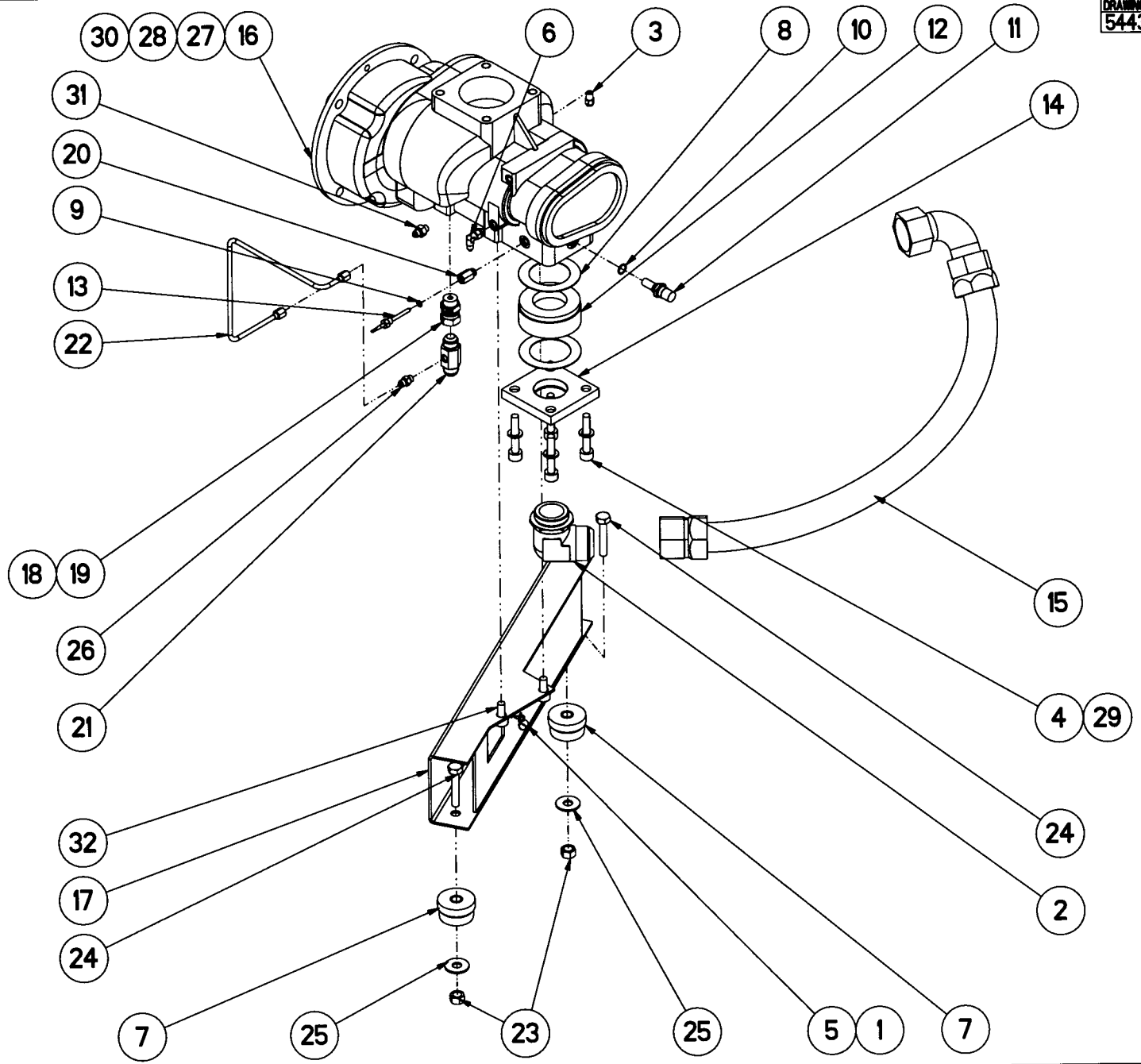


ASSEMBLY, 75KW MOTOR/GEAR

REF. NO.	PART NUMBER	QTY.	DESCRIPTION
1	39112362	1	BREATHER, FILTER
2	35255827	1	CLAMP, GEAR
3	39155478	1	ELBOW, .25 NPT X .25 TUBE
4	39437637	1	GASKET, GEAR CASE
5	39454558	1	GASKET, GEARCASE MOTOR
6	39791751	1	GEARCASE, 404/405 FRAME
7	89244024	1	HOUSING, SEAL CF90
8	89244040	1	HOUSING, SEAL CF90
9	95381109	1	KEY, SQUARE .38 X .38 X 1.88 NONE
10	-	1	MOTOR, DRIVE 326TC TEFACT TYPE
11	35318229	1	MOUNT
12	95922928	8	NUT, HEX FINISHED .75 UNC-2B
13	95923355	1	NUT, HEX LIGHT SELF-LOCKING .63-11UNC
14	95923363	4	NUT, HEX LIGHT SELF-LOCKING .75-10UNC
15	95069779	1	ORING, STANDARD -036 2.375 ID X 2.062 WIDTH
16	95023107	1	ORING, STANDARD -156 4.250 ID X 4.094 WIDTH
17	39194915	2	PIN, DOWEL
18	95239919	2	PIN, DOWEL HARDENED GROUND MACHINE .1.50 DIA. X 1.25
19	95947149	1	PLUG, SOCKET .75 NPT
20	39404587	1	RETAINER, GEAR
21	95929105	11	SCREW, CAP HEX HEAD .75 X 2.50 LONG
22	95934170	1	SCREW, CAP HEX HEAD .63 X 3.00 LONG
23	95934378	1	SCREW, CAP HEX HEAD .75 X 2.00 LONG
24	96702337	12	SCREW, HEX HEAD M16 X 40.0 LONG
25	95013785	1	SCREW, SOCKET HEAD CAP .63 X 1.50 LONG
26	95929154	4	SCREW, SOCKET HEAD CAP .25 X 1.00 LONG
27	95929162	1	SCREW, SOCKET HEAD CAP .50 X 1.50 LONG
28	89246524	1	SLEEVE, SHAFT, 178 60HZ
29	35262716	1	SPACER, BEARING
30	39479860	1	STRAP, GROUND
31	39899919	1	SUPPORT, MOTOR 400 FRAME MOTOR
32	95947651	1	WASHER, PLAIN TYPE A FLAT WIDE, .63

GEAR SETS

REF. NO.	PART NUMBER	QTY.	DESCRIPTION
1	39104849	1	GEAR SET ML75
2	39109517	1	GEAR SET MM75
3	39753793	1	GEAR SET MH75



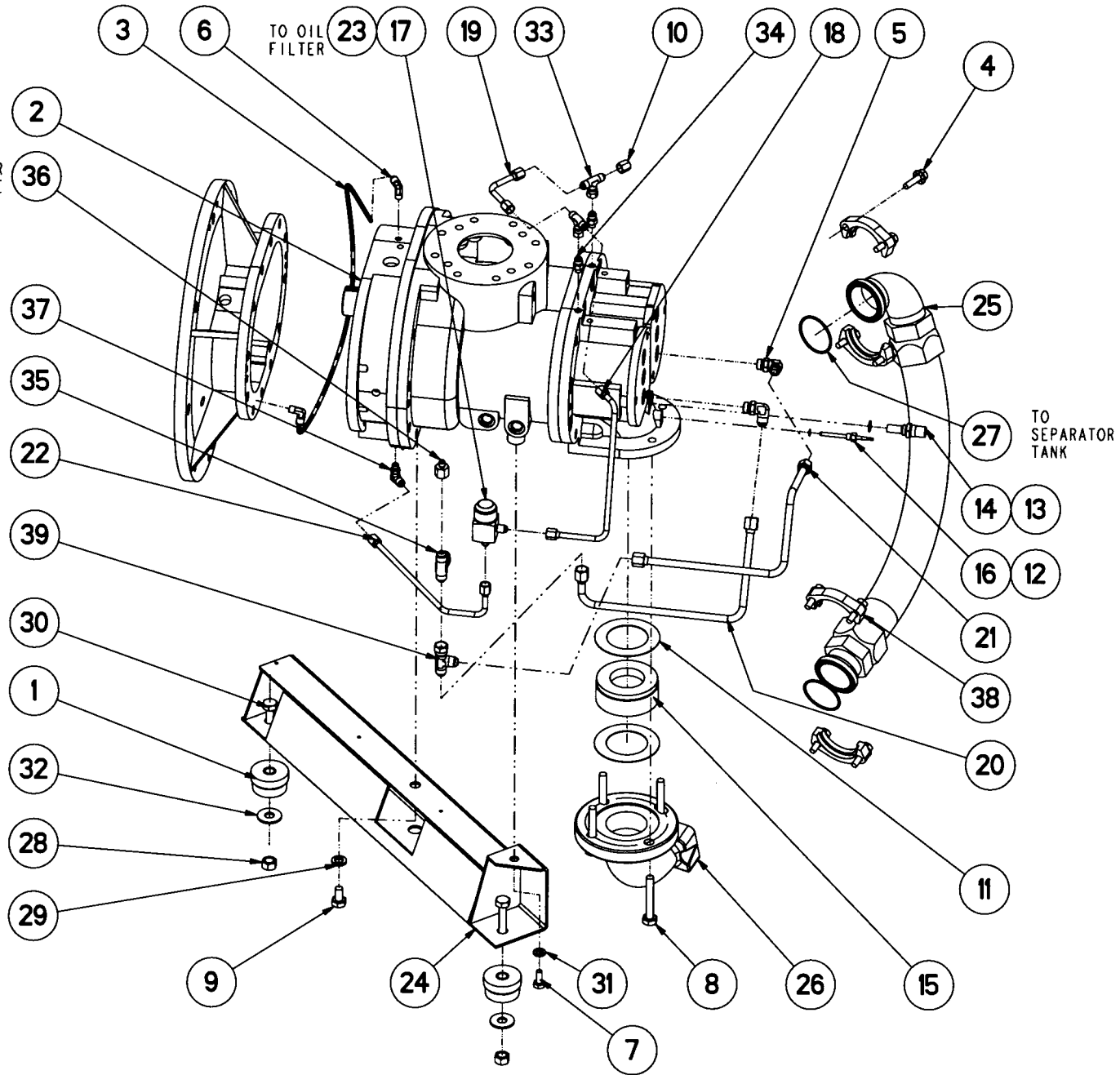
ASSEMBLY, AIREND 50/60HP 37/45KW

REF. NO.	PART NUMBER	QTY.	DESCRIPTION
1	39133145	1	SCREW, WASHER HEAD TAPPING
2	39140512	1	ELBOW,
3	39156435	1	CONNECTOR,
4	39178637	4	SCREW, SOCKET HEAD
5	39206057	1	CLAMP
6	39311618	1	ELBOW
7	39326210	2	MOUNT, CENTER BONDED
8	39326228	2	GASKET, DISCHARGE ELBOW
9	39404157	1	O-RING, ID .351
10	39404165	1	O-RING, ID .644
11	39419668	1	SWITCH, HAT
12	39477674	1	VALVE, CHECK
13	39586227	1	SENSOR, TEMPERATURE
14	54385703	1	PLATE, ADAPTER
15	54385711	1	HOSE, HYDRAULIC
16	54416920	1	AIREND, CF90
17	54418553	1	SUPPORT, AIREND
18	54428313	1	ORIFICE, .277 DIA. 50HP 37KW
19	54441522	1	ORIFICE, .375 DIA. 60HP 45KW
20	54461066	1	ADAPTER, STANDOFF
21	93481562	1	MANIFOLD, INJECTION
22	93481570	1	TUBE
23	95923355	2	NUT, HEX
24	95934170	2	SCREW, HEX HEAD
25	95947651	2	WASHER, PLAIN WIDE TYPE B
26	95989695	1	CONNECTOR,
27	96702170	2	SCREW, SOCKET HEAD
28	96708144	3	SCREW, SOCKET HEAD
29	96721097	4	WASHER, SPRING LOCK,
30	96726328	5	SCREW, SOCKET HEAD
31	96739701	1	CONNECTOR,
32	96739966	2	SCREW, SOCKET HEAD

TO SEPARATOR
TANK SCAVENGE

TO OIL
FILTER

TO
SEPARATOR
TANK

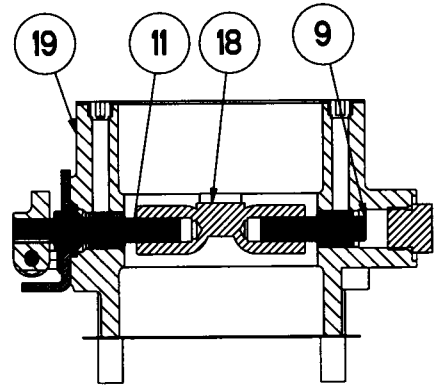
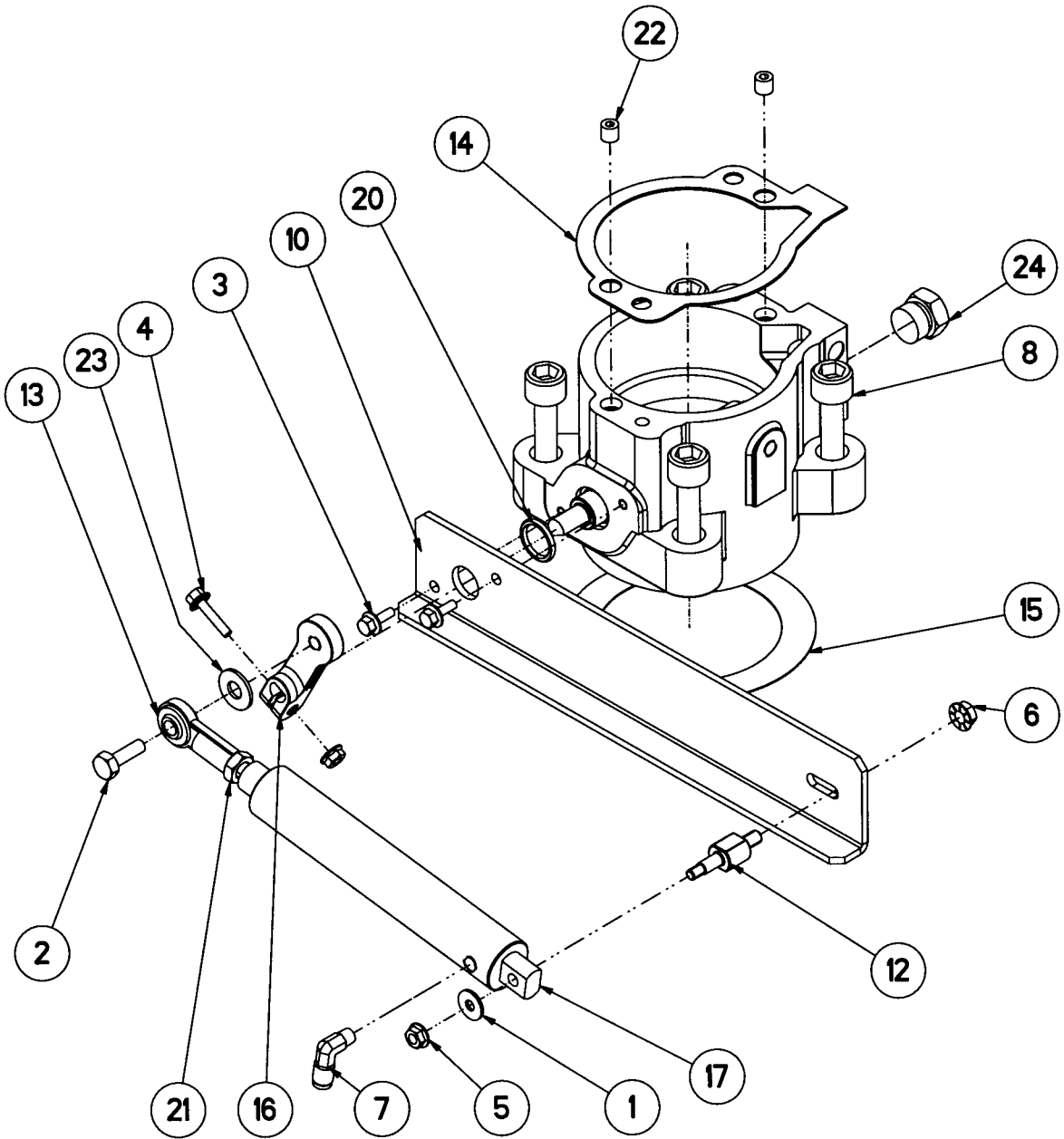


75/100HP 55/75KW AIREND PIPING AND SUPPORT

REF. NO.	PART NUMBER	QTY.	DESCRIPTION
1	35318229	2	MOUNT
2	36017028	1	ASSEMBLY, AIREND 178MM
3	39124813	1	TUBE, NYLON
4	39128517	8	SCREW, WHIZ LOCK .50 X 1.50 LONG ZINC PLATED
5	39128640	2	ELBOW, .50 TUBE X .75 SAE
6	39155478	2	ELBOW, .25 NPT X .25 TUBE
7	39173463	1	SCREW, HEX HEAD M12 X 25.0 LONG
8	39177159	4	SCREW, HEX HEAD M16 X 90.0 LONG
9	39177886	1	SCREW, HEX HEAD M16 X 25.0 LONG
10	39232566	1	CAP, .38 TUBE
11	39326228	2	GASKET, DISCHARGE ELBOW 178MM AIREND
12	39404157	1	O-RING, ID .351 WIDTH .072
13	39404165	1	O-RING, ID .644 WIDTH .087
14	39419668	1	SWITCH, HAT 245 DEG. F
15	39477674	1	VALVE, CHECK 3 INCH
16	39586227	1	SENSOR, TEMPERATURE THERMISTOR
17	39890371	1	MANIFOLD, OIL INJECTION ORIFICE, .219 (75HP/55KW)
18	39890389	1	TUBE, BEARING FEED
19	39890397	1	TUBE, BEARING FEED
20	39890405	1	TUBE, BEARING SCAVENGE
21	39890413	1	TUBE, BEARING SCAVENGE
22	39890421	1	TUBE, BEARING FEED

75/100HP 55/75KW AIREND PIPING AND SUPPORT

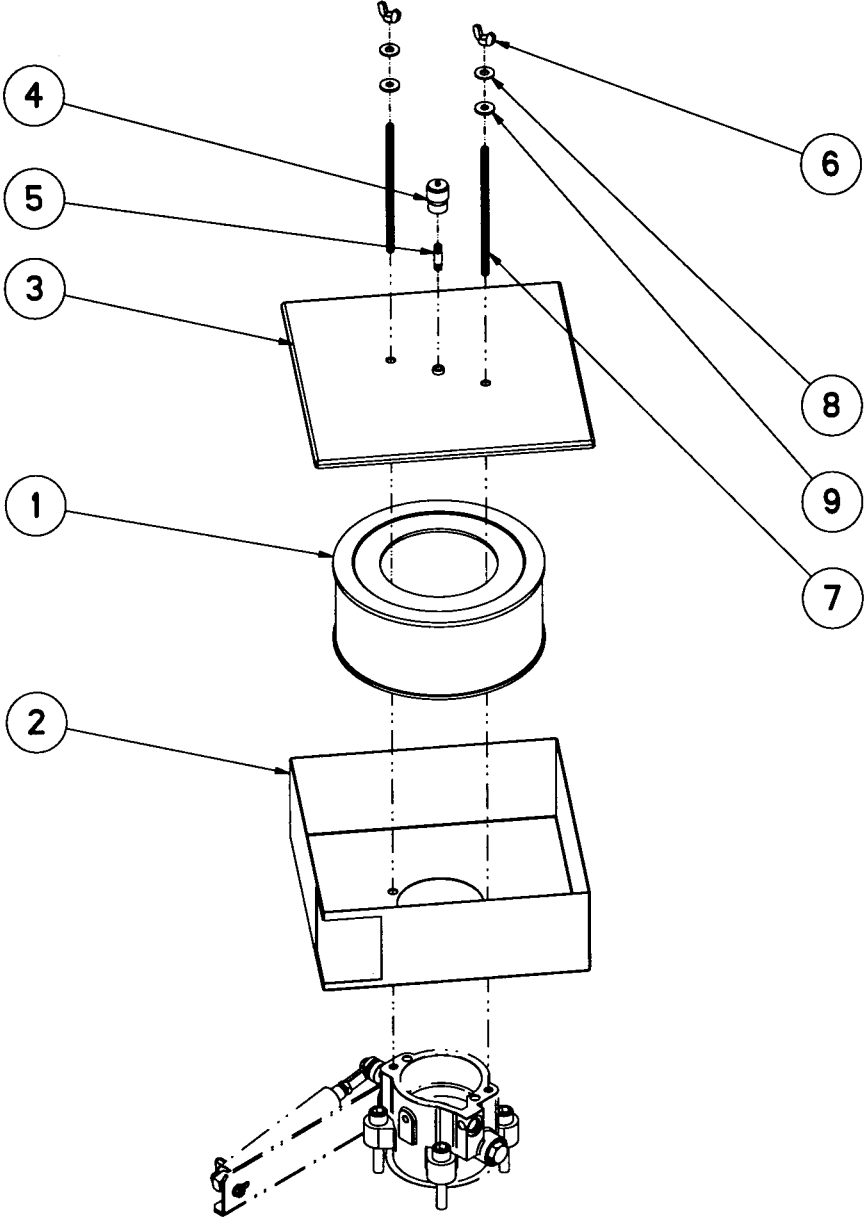
REF. NO.	PART NUMBER	QTY.	DESCRIPTION
23	39890652	2	MANIFOLD, OIL INJECTION ORIFICE, .313 (100HP/75KW)
24	39892443	1	SUPPORT, AIR END 178mm
25	39905450	1	HOSE, HYDRAULIC 2.50 NOMINAL X 33.30 LONG
26	39916739	1	ELBOW, DISCHARGE
27	95028502	2	O-RING, ID 2.75 WIDTH .139
28	95923355	2	NUT, HEX .63
29	95929188	1	WASHER, LOCK EXTRA DUTY .63
30	95934170	2	SCREW, HEX HEAD .63 X 3.00 LONG ZINC
31	95934733	1	WASHER, LOCK EXTRA DUTY .50
32	95947651	2	WASHER, PLAIN WIDE TYPE B .63
33	95959581	2	TEE, BRANCH .38 TUBE X .38 FEMALE TUBE X .38 TUBE
34	95959607	2	CONNECTOR, .38 TUBE X .44 SAE
35	95959615	1	TEE, BRANCH .50 TUBE X .75 SAE X .50 TUBE
36	95959722	1	REDUCER, .50 FEMALE TUBE TO .25 TUBE
37	95959730	1	ELBOW, .38 TUBE X .44 SAE
38	95961496	4	CLAMP, 4 BOLT 2.5 INCH
39	95961629	1	TEE, RUN .50 TUBE X .50 TUBE X .50 FEMALE TUBE



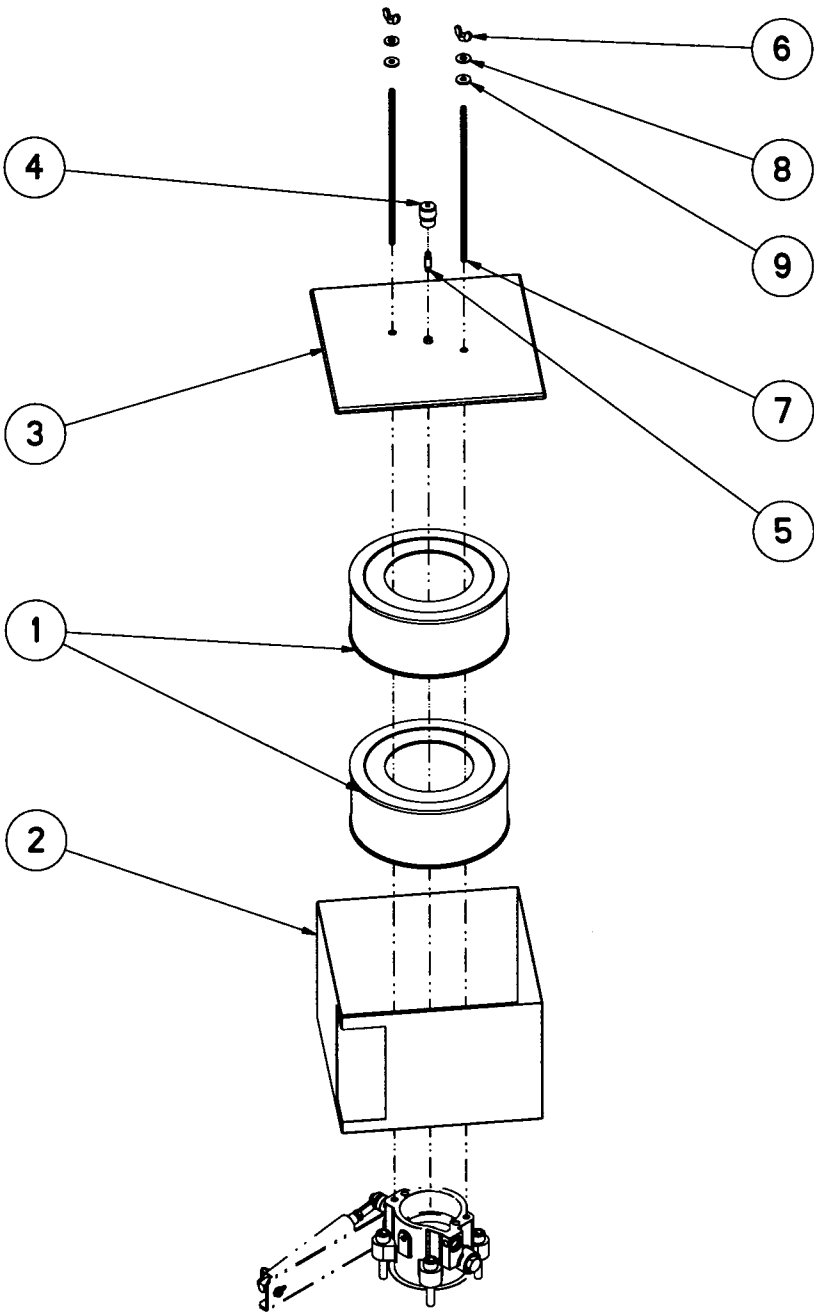
SECTION VIEW

INLET VALVE ASSEMBLY

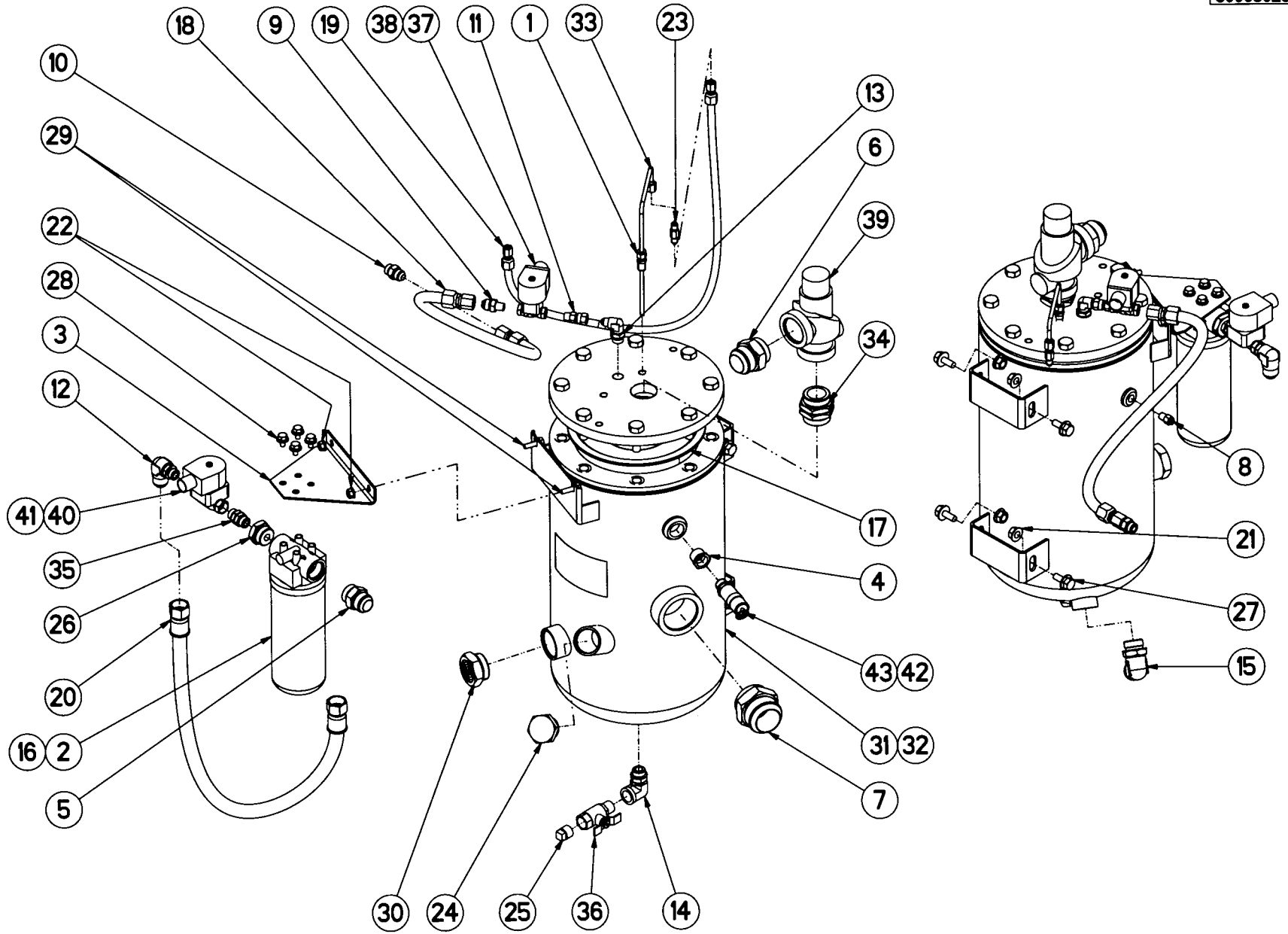
REF. NO.	PART NUMBER	QTY	DESCRIPTION
1	35317114	1	WASHER, PLAIN REGULAR M6
2	39128152	1	SCREW, HEX HEAD .38 X 1.00 LONG
3	39128426	2	SCREW, WHIZ LOCK .25 X .63 LONG ZINC PLATED
4	39128434	1	SCREW, WHIZ LOCK .25 X 1.00 LONG ZINC PLATED
5	39128541	2	NUT, WHIZ LOCK .25 ZINC PLATED
6	39128558	1	NUT, WHIZ LOCK .31 ZINC PLATED
7	39155577	1	ELBOW, .13 NPT X .25 TUBE
8	39178637	4	SCREW, SOCKET HEAD M16 X 80.0 LONG
9	39311352	1	SHAFT, INLET VALVE
10	39324884	1	BRACKET, CYLINDER INLET VALVE
11	39324900	1	SHAFT, INLET VALVE
12	39325097	1	SPACER, CYLINDER INLET VALVE
13	39325154	1	ROD, END BEARING
14	39326319	1	GASKET, INLET VALVE
15	39476304	1	GASKET, INLET VALVE TO AIREND
16	39586656	1	ARM, INLET VALVE
17	39589056	1	CYLINDER, PNEUMATIC
18	39851316	1	VALVE, PLATE (MACHINING)
19	39894142	1	HOUSING, VALVE INLET (MACHINING)
20	95022141	1	O-RING, ID .796 WIDTH .139
21	95245288	1	NUT, JAM .44
22	95837233	2	PLUG, SOCKET .13 NPT -
23	95933313	1	WASHER, PLAIN WIDE TYPE B .38
24	95938940	1	PLUG, HEX .88 SAE -



ASSEMBLY, AIR FILTER 50/60HP 37/45KW			
REF. NO.	PART NUMBER	QTY.	DESCRIPTION
1	39708466	1	ELEMENT, AIR FILTER
2	39911342	1	HOUSING, AIR FILTER
3	39911359	1	HOUSING, AIR FILTER TOP METAL
4	39124722	1	INDICATOR, AIR FILTER
5	95871828	1	NIPPLE,
6	95938775	2	NUT, WING TYPE A
7	39308978	2	STUD,
8	95933313	2	WASHER, PLAIN TYPE A
9	39195151	2	WASHER, RUBBER



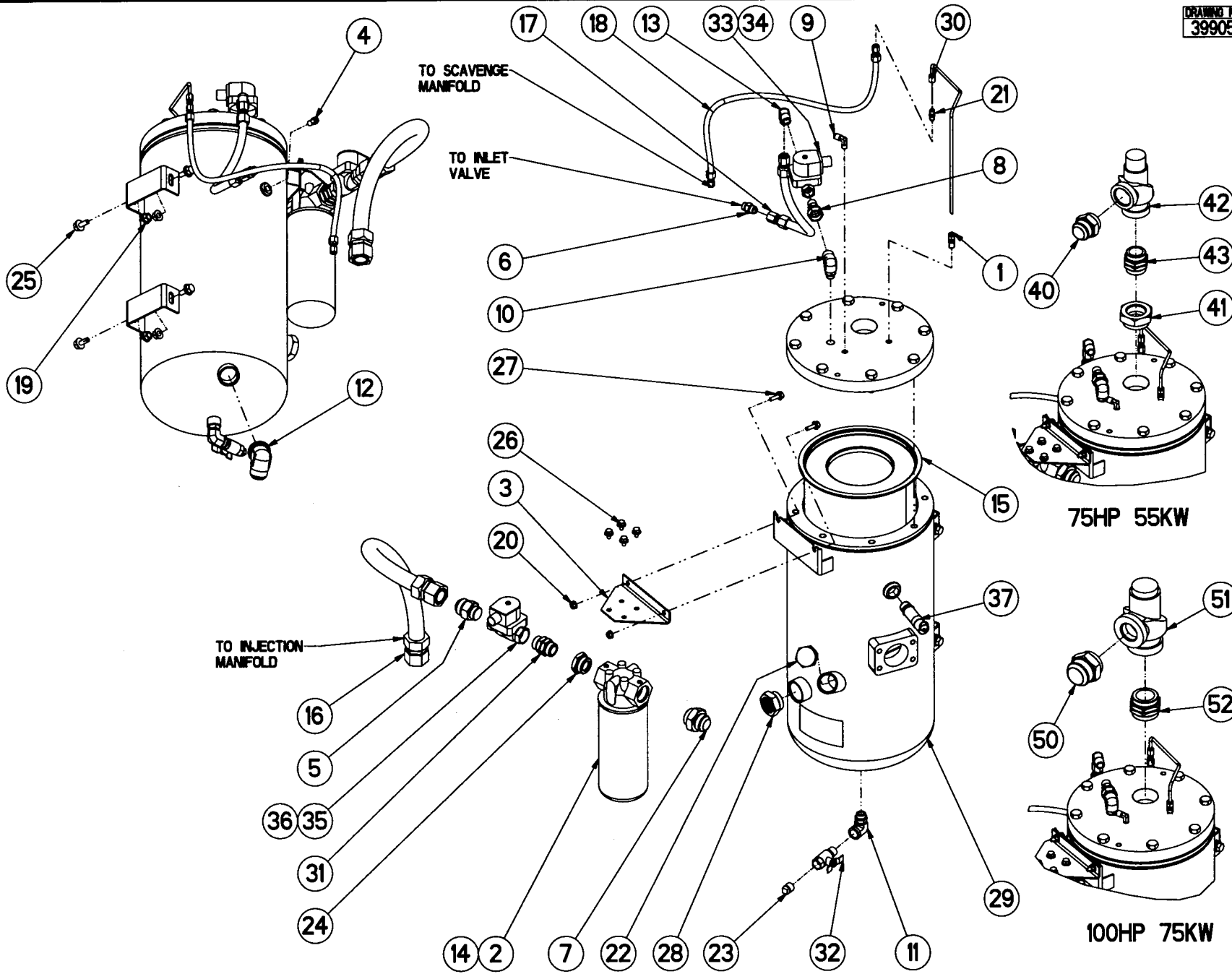
ASSEMBLY, AIR FILTER 75/100HP 55/75KW			
REF. NO.	PART NUMBER	QTY.	DESCRIPTION
1	39708466	2	ELEMENT, AIR FILTER
2	39911458	1	HOUSING, AIR FILTER
3	39911359	1	HOUSING, AIR FILTER TOP METAL
4	39124722	1	INDICATOR, AIR FILTER
5	95871828	1	NIPPLE,
6	95938775	2	NUT, WING TYPE A
7	39308960	2	ROD, THREADED
8	95933313	2	WASHER, PLAIN TYPE A
9	39195151	2	WASHER, RUBBER



ASSEMBLY, SEPARATOR TANK 50/60 HP 37/45KW

DRAWING NUMBER REV
39908025 04

REF. NO.	PART NUMBER	QTY.	DESCRIPTION
1	39417118	1	ADAPTER
2	39259650	1	ASSEMBLY, OIL FILTER
3	39897418	1	BRACKET, OIL FILTER
4	39157425	1	BUSHING, REDUCER
5	39111752	1	CONNECTOR,
6	39128624	1	CONNECTOR,
7	39128632	1	CONNECTOR,
8	39156435	1	CONNECTOR,
9	95937488	1	CONNECTOR,
10	95938122	1	CONNECTOR,
11	95962601	1	CONNECTOR,
12	39171517	1	ELBOW,
13	39308655	1	ELBOW,
14	39477526	1	ELBOW,
15	95938171	1	ELBOW,
16	39911615	1	ELEMENT,
17	39895610	1	ELEMENT, SEPARATOR TANK
18	39575147	1	HOSE, HYDRAULIC
19	39578406	1	HOSE, HYDRAULIC
20	39572177	1	HOSE, HYDRAULIC STR X STR
21	39116348	4	NUT, FLANGE
22	39128566	2	NUT, FLANGE
23	39301940	1	ORIFICE, SCAVENGE
24	39478953	1	PLUG, 1.625
25	95387361	1	PLUG, SQUARE HEAD
26	95973368	1	REDUCER/EXPANDER,
27	39116330	4	SCREW, FLANGE HEAD
28	39128467	4	SCREW, WHIZ LOCK
29	39128483	2	SCREW, WHIZ LOCK
30	39476916	1	SIGHT GLASS
31	39905310	1	TANK, SEPARATOR ASME TANK
32	39256771	1	TANK, SEPARATOR 12 INCH ASI210 TANK
33	39906110	1	TUBE, SCAVENGE
34	39479944	1	UNION,
35	95973350	1	UNION,
36	39105739	1	VALVE, BALL
37	39136932	1	VALVE, BLOWDOWN NEMA 1
38	39479563	1	VALVE, BLOWDOWN NEMA 4
39	39475637	1	VALVE, MINIMUM PRESSURE
40	39476825	1	VALVE, OIL STOP NEMA 1
41	39479530	1	VALVE, OIL STOP NEMA 4
42	39587951	1	VALVE, PRESSURE 60HP 45KW
43	39587993	1	VALVE, PRESSURE 50HP 37KW



75/100HP 55/75KW SEPARATOR TANK

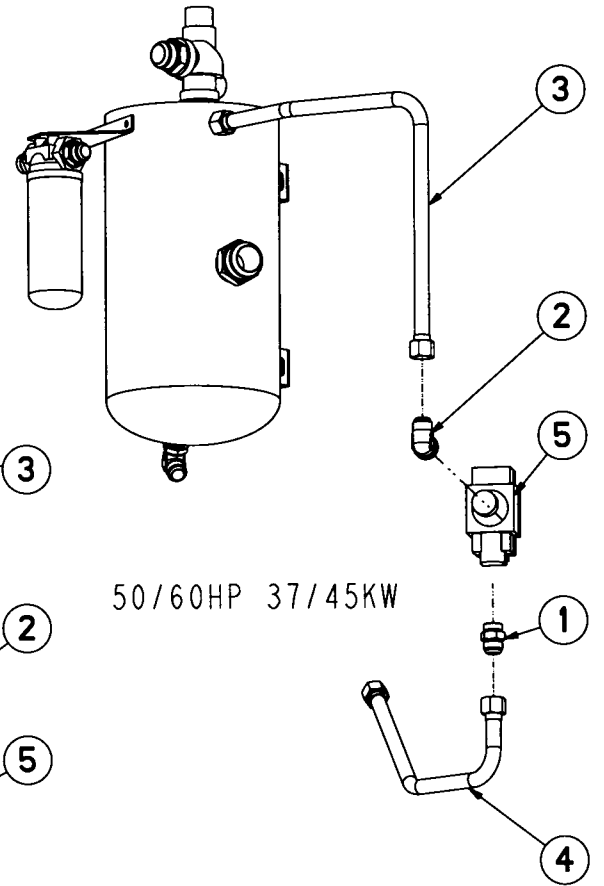
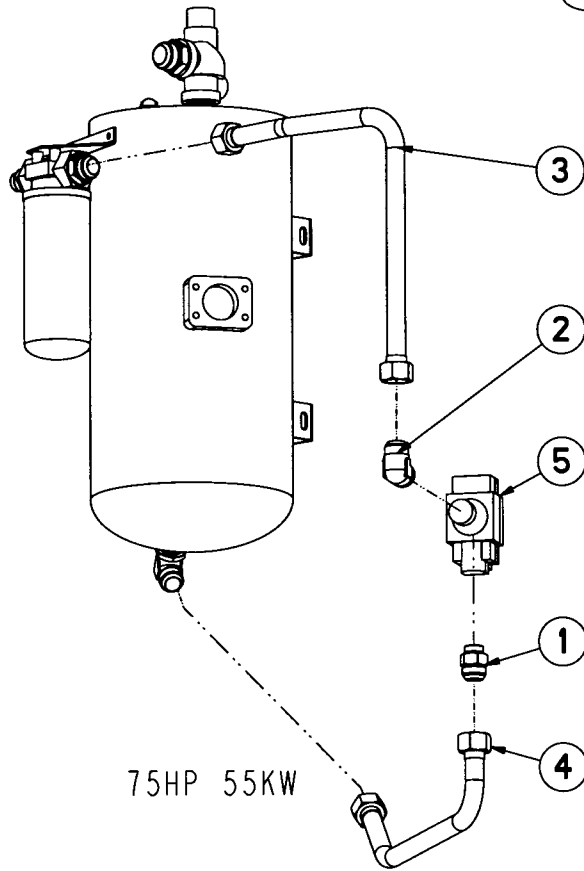
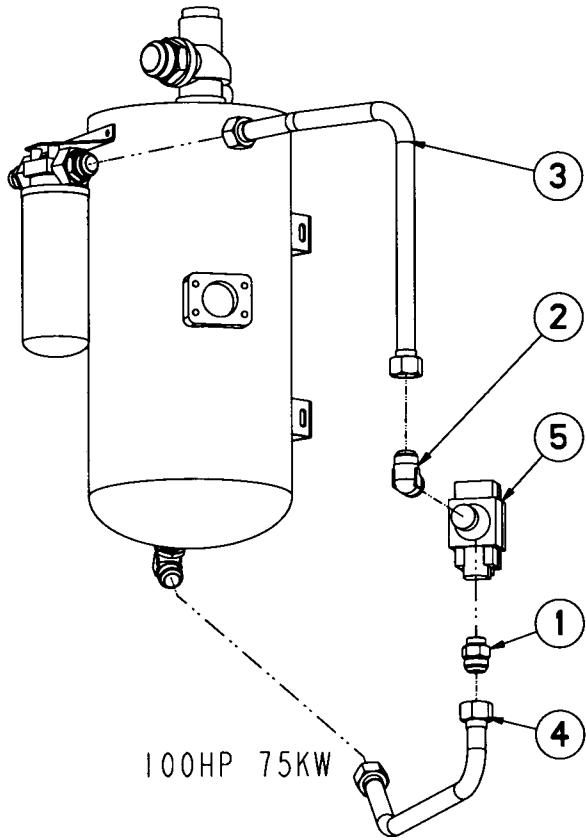
REF. NO.	PART NUMBER	QTY.	DESCRIPTION	COMMENTS
1	39417118	1	ADAPTER	
2	39259668	1	ASSEMBLY, OIL FILTER 5 INCH SINGLE	
3	39893730	1	BRACKET, OIL FILTER	
4	39156435	1	CONNECTOR, .25 NPT X .25 TUBE	
5	39476999	1	CONNECTOR, 1.25 TUBE X 1.31 SAE	
6	95938122	1	CONNECTOR, .50 TUBE X .75 SAE	
7	95938155	1	CONNECTOR, 1.25 TUBE X 1.63 SAE	
8	95961538	1	CONNECTOR, .50 NPT X .75 FEMALE TUBE	
9	39155478	1	ELBOW, .25 NPT X .25 TUBE	
10	39171517	1	ELBOW, .75 TUBE X .75 SAE	
11	39477526	1	ELBOW, .50 FNPT X .88 SAE	
12	95938189	1	ELBOW, 1.25 TUBE X 1.63 SAE	
13	95942025	1	ELBOW, .50 TUBE X .50 NPT	
14	39911631	1	ELEMENT, OIL FILTER	
15	39894597	1	ELEMENT, SEPARATOR TANK 14 INCH	
16	39572458	1	HOSE, HYDRAULIC 1.25 NOMINAL X 33.00 LONG	
17	39575279	1	HOSE, HYDRAULIC .50 NOMINAL X 16.50 LONG	
18	39578406	1	HOSE, HYDRAULIC .25 NOMINAL X 43.00 LONG	
19	39116348	4	NUT, FLANGE .50 ZINC PLATED	
20	39128566	2	NUT, FLANGE .38 ZINC PLATED	
21	39303276	1	ORIFICE, SCAVENGE .056	
22	39478953	1	PLUG, 1.625 BLEED HOLE	
23	95387361	1	PLUG, SQUARE HEAD .50 NPT -	
24	95960746	1	REDUCER/EXPANDER, 1.63 SAE X 1.31 FEMALE SAE	
25	39116330	4	SCREW, FLANGE HEAD .50 X 1.00 LONG ZINC PLATED	
26	39128467	4	SCREW, WHIZ LOCK .38 X .50 LONG ZINC PLATED	
27	39128483	2	SCREW, WHIZ LOCK .38 X 1.00 LONG ZINC PLATED	
28	39476916	1	SIGHT GLASS	
29	39905302	1	TANK, SEPARATOR 14 INCH ASME/CRN	
-	39256789	1	TANK, SEPARATOR 14 INCH AUSTRALIA, AS-1210 CERTIFIED	
30	39895578	1	TUBE, SCAVENGE 75-100HP	
31	95938106	1	UNION, 1.31 SAE	
32	39105739	1	VALVE, BALL	
33	39120472	1	VALVE, BLOWDOWN .50 NPT	NEMA 1
34	39479571	1	VALVE, BLOWDOWN DIN .50 NPT	NEMA 4
35	39476569	1	VALVE, OIL STOP 1.31 SAE	NEMA 1
36	39479548	1	VALVE, OIL STOP 1.31 SAE	NEMA 4
37	39588116	1	VALVE, PRESSURE RELIEF	

75HP 55KW SEPARATOR TANK

REF. NO.	PART NUMBER	QTY.	DESCRIPTION
40	39128624	1	CONNECTOR, 1.50 TUBE X 1.88 SAE
41	39324629	1	REDUCER/EXPANDER, 2.50 SAE X 1.88 FEMALE SAE
42	39475637	1	VALVE, MINIMUM PRESSURE 1.50 INCH
43	39479944	1	UNION, 1.88 SAE

100HP 75KW SEPARATOR TANK

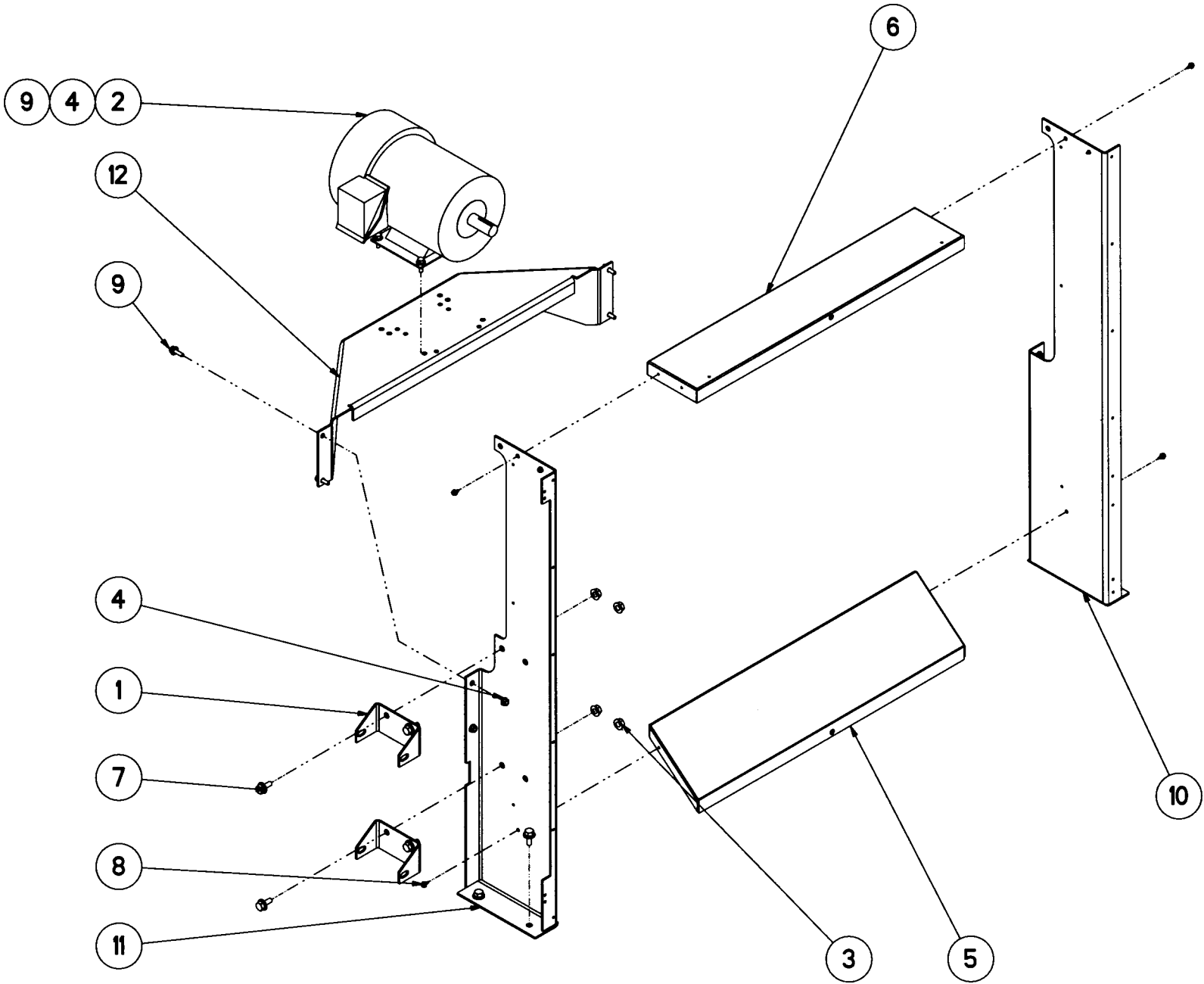
REF. NO.	PART NUMBER	QTY.	DESCRIPTION
50	39128632	1	CONNECTOR, 2.00 TUBE X 2.50 SAE
51	39475645	1	VALVE, MINIMUM PRESSURE 2.00 INCH
52	39477039	1	UNION, 2.50 SAE



100HP 75KW TEMPERATURE CONTROL VALVE AND PIPING			
REF. NO.	PART NUMBER	QTY.	DESCRIPTION
1	39476999	1	CONNECTOR, 1.25 TUBE X 1.31 SAE
2	39476973	1	ELBOW, 1.25 TUBE X 1.31 SAE
3	39893581	1	TUBE, THERMAL VALVE
4	39900345	1	TUBE, THERMAL VALVE TO TANK
5	39902374	1	VALVE, OIL TEMP BYPASS

50/60HP 37/45KW TEMPERATURE CONTROL VALVE AND PIPING			
REF. NO.	PART NUMBER	QTY.	DESCRIPTION
1	39111752	1	CONNECTOR, 1.00 TUBE X 1.31 SAE
2	95938171	1	ELBOW, 1.00 TUBE X 1.31 SAE
3	39900170	1	TUBE, THERMAL VALVE
4	39900352	1	TUBE, THERMAL VALVE TO TANK
5	39902374	1	VALVE, OIL TEMP BYPASS

75HP 55KW TEMPERATURE CONTROL VALVE AND PIPING			
REF. NO.	PART NUMBER	QTY.	DESCRIPTION
1	39476999	1	CONNECTOR, 1.25 TUBE X 1.31 SAE
2	39476973	1	ELBOW, 1.25 TUBE X 1.31 SAE
3	39893581	1	TUBE, THERMAL VALVE
4	39900345	1	TUBE, THERMAL VALVE TO TANK
5	39902374	1	VALVE, OIL TEMP BYPASS

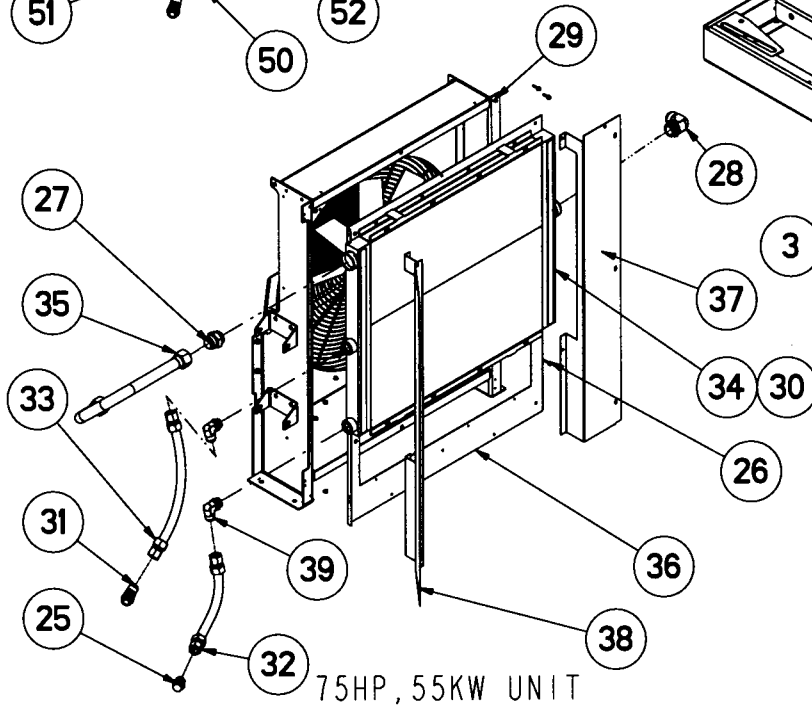
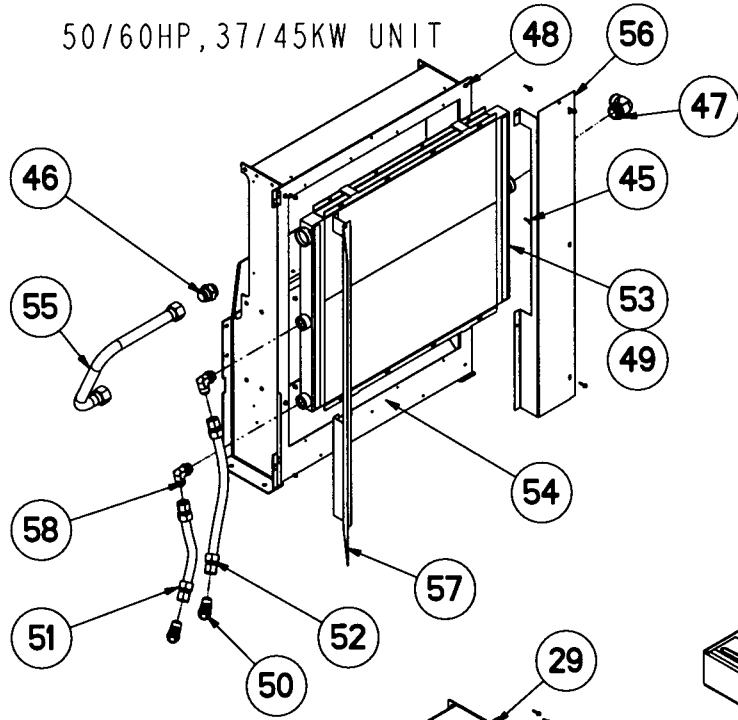


COOLER SUPPORT FRAME

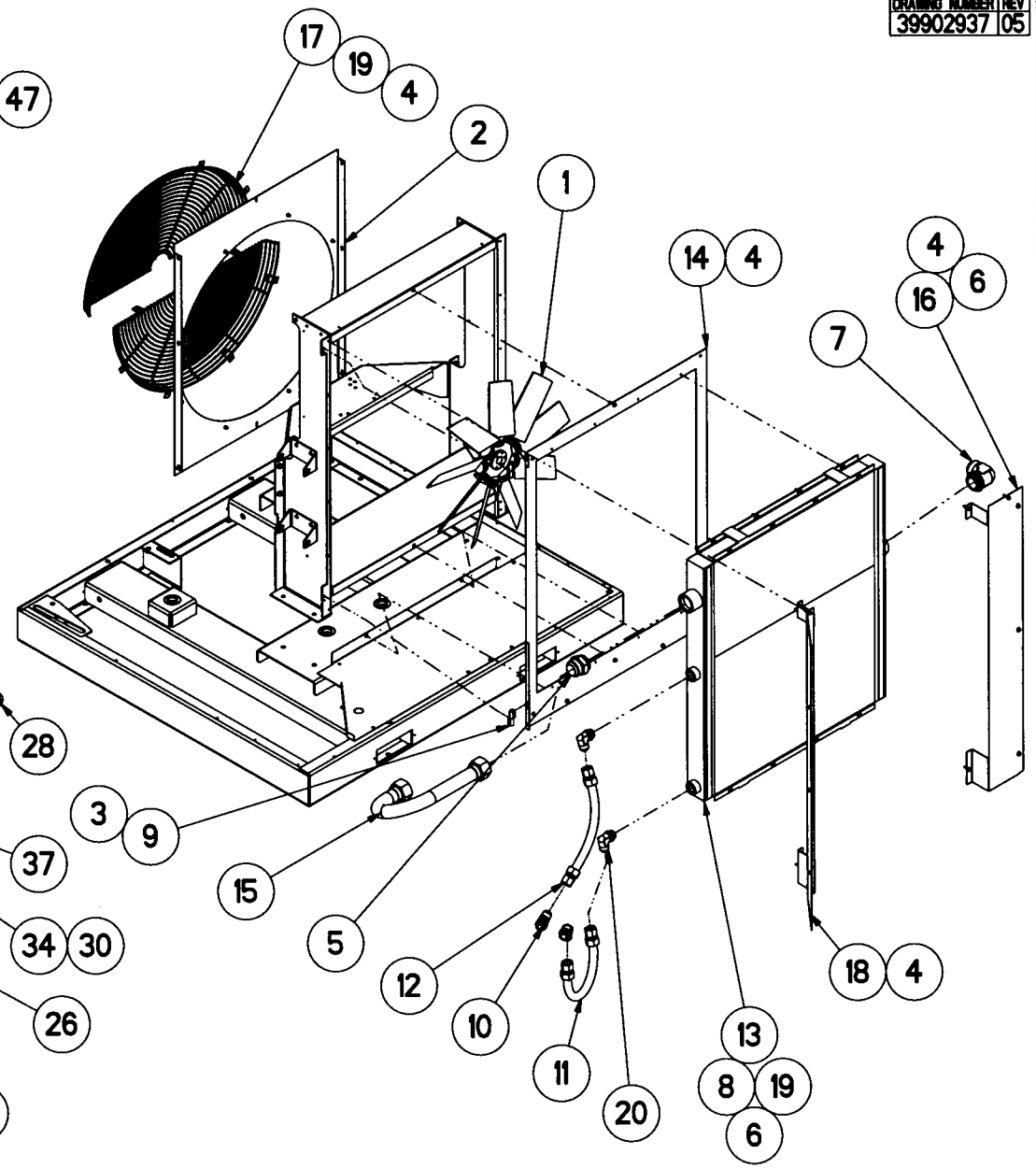
REF. NO.	PART NUMBER	QTY.	DESCRIPTION	COMMENTS
1	39896030	2	BRACKET, SEPARATOR TANK	
2	-	1	MOTOR, FAN MARATHON TEFC - 184T	REFER TO DATA PLATE FOR MOTOR P/N
3	39116348	4	NUT, FLANGE .50 ZINC PLATED	
4	39128566	8	NUT, FLANGE .38 ZINC PLATED	USE QTY OF 4 IF AIR COOLED MOTOR
-	39128558	4	NUT, WHIZ LOCK .31 ZINC PLATED	IF WATER COOLED MOTOR
5	39893292	1	PANEL, BOTTOM	
6	39893284	1	PANEL, TOP	
7	39116330	8	SCREW, FLANGE HEAD .50 X 1.00 LONG ZINC PLATED	
8	39133145	6	SCREW, WASHER HEAD TAPPING .25 X .50 LONG ZINC PLATED	
9	39128483	8	SCREW, WHIZ LOCK .38 X 1.00 LONG ZINC PLATED	USE QTY OF 4 IF AIR COOLED MOTOR
-	39130828	4	SCREW, WHIZ LOCK .31 X 1.00 LONG ZINC PLATED	IF WATER COOLED MOTOR
10	39905484	1	SUPPORT, COOLER LEFT VERTICAL	
11	39905492	1	SUPPORT, COOLER RIGHT VERTICAL	
12	54415237	1	SUPPORT, FAN MOTOR	

DRAWING NUMBER REV
39902937 05

50/60HP, 37/45KW UNIT



75HP, 55KW UNIT



100HP, 75KW UNIT

50/60HP, 37/45KW AIR COOLED COOLER

REF. NO.	PART NUMBER	QTY.	DESCRIPTION
45	39128434	7	SCREW, WHIZ LOCK .25 X 1.00 LONG ZINC PLATED
46	39128624	1	CONNECTOR, 1.50 TUBE X 1.88 SAE
47	39128673	1	ELBOW, 1.50 TUBE X 1.88 SAE
48	39133152	2	SCREW, WASHER HEAD TAPPING .25 X 1.00 LONG
49	39249651	-	GASKET, SILICONE
50	39477021	2	ELBOW, 45° 1.00 TUBE X 1.31 SAE
51	39572755	1	HOSE, HYDRAULIC 1.00 NOMINAL X 14.75 LONG
52	39589528	1	HOSE, HYDRAULIC 1.00 NOMINAL X 23.50 LONG
53	39893003	1	COOLER, OIL/AIR
54	39898812	1	PANEL, COOLER
55	39900212	1	TUBE, MINIMUM PRESSURE TO AFTERCOOLER
56	39901707	1	WALL, RIGHT PLENUM
57	39909726	1	WALL, LEFT PLENUM
58	95938171	2	ELBOW, 1.00 TUBE X 1.31 SAE

100HP, 75KW AIR COOLED COOLER

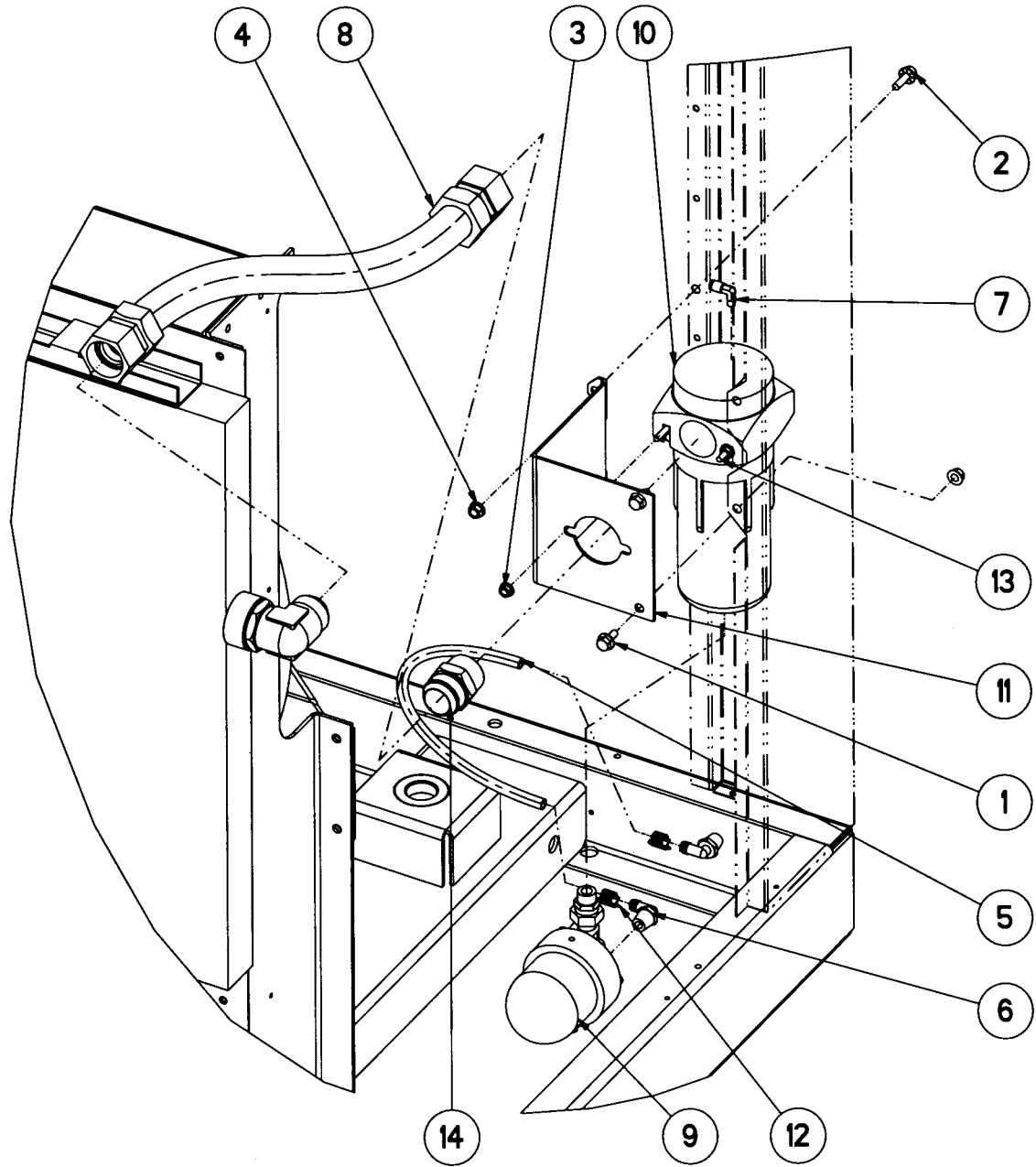
REF. NO.	PART NUMBER	QTY.	DESCRIPTION
1	-	1	FAN (SEE FAN ORIFICE CHART)
2	-	1	ORIFICE, FAN (SEE FAN ORIFICE CHART)
3	39111471	8	SCREW, FLANGE HEAD #10 X .38 LONG ZINC PLATED
4	39128434	11	SCREW, WHIZ LOCK .25 X 1.00 LONG ZINC PLATED
5	39128632	1	CONNECTOR, 2.00 TUBE X 2.50 SAE
6	39133152	10	SCREW, WASHER HEAD TAPPING .25 X 1.00 LONG
7	39140512	1	ELBOW, 2.00 TUBE X 2.50 SAE
8	39249651	-	GASKET, SILICONE
9	39323563	2	HINGE
10	39477021	1	ELBOW, 45° 1.00 TUBE X 1.31 SAE
11	39572086	1	HOSE, HYDRAULIC 1.00 NOMINAL X 20.50 LONG
12	39572896	1	HOSE, HYDRAULIC 1.00 NOMINAL X 19.00 LONG
13	39892492	1	COOLER, OIL/AIR
14	39893326	1	PANEL, COOLER
15	39893359	1	TUBE, MINIMUM PRESSURE TO AFTERCOOLER
16	39901699	1	WALL, RIGHT PLENUM
17	39905716	2	GUARD, FAN
18	39909734	1	WALL, LEFT PLENUM
19	95929071	8	WASHER, PLAIN WIDE TYPE B .25ZINC
20	95938171	3	ELBOW, 1.00 TUBE X 1.31 SAE

75HP, 55KW AIR COOLED COOLER

REF. NO.	PART NUMBER	QTY.	DESCRIPTION
25	39111752	1	CONNECTOR, 1.00 TUBE X 1.31 SAE
26	39128434	7	SCREW, WHIZ LOCK .25 X 1.00 LONG ZINC PLATED
27	39128624	1	CONNECTOR, 1.50 TUBE X 1.88 SAE
28	39128673	1	ELBOW, 1.50 TUBE X 1.88 SAE
29	39133152	2	SCREW, WASHER HEAD TAPPING .25 X 1.00 LONG
30	39249651	-	GASKET, SILICONE
31	39477021	1	ELBOW, 45° 1.00 TUBE X 1.31 SAE
32	39577176	1	HOSE, HYDRAULIC 1.00 NOMINAL X 16.50 LONG
33	39588884	1	HOSE, HYDRAULIC 1.00 NOMINAL X 22.00 LONG
34	39893003	1	COOLER, OIL/AIR
35	39896147	1	TUBE, MINIMUM PRESSURE TO AFTERCOOLER
36	39898812	1	PANEL, COOLER
37	39901707	1	WALL, RIGHT PLENUM
38	39909726	1	WALL, LEFT PLENUM
39	95938171	2	ELBOW, 1.00 TUBE X 1.31 SAE

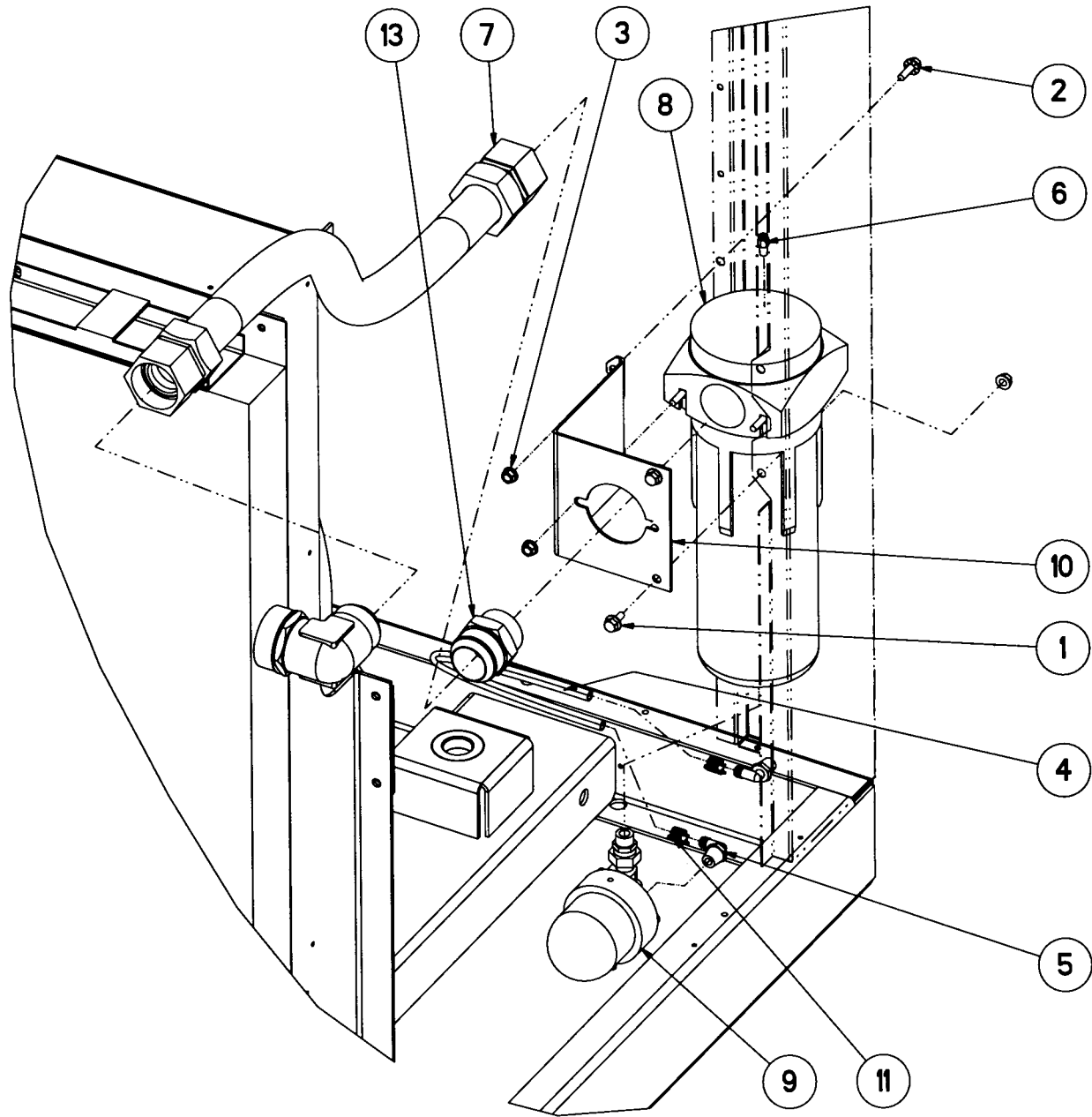
FAN/ORIFICE CHART

REF. NO.	PART NUMBER	QTY.	DESCRIPTION
ORIFICE AND FAN FOR 50-60HP			
1	39922000	1	FAN, 28 INCH, 1.125 INCH BUSHING 28-9-4ZL-20.0 SPLIT TAPER
2	39905500	1	ORIFICE, FAN 28 INCH
ORIFICE AND FAN FOR 75HP			
1	39921986	1	FAN, 28 INCH, 1.125 INCH BUSHING 28-9-4ZL-30.0 SPLIT TAPER
2	39905500	1	ORIFICE, FAN 28 INCH
ORIFICE AND FAN FOR 100HP			
1	39921978	1	FAN, 28 INCH, 1.125 INCH BUSHING 28-9-4ZL-32.5 SPLIT TAPER
2	39905500	1	ORIFICE, FAN 28 INCH
ORIFICE AND FAN FOR 37/45KW			
1	54427653	1	FAN, 28 INCH, 28MM BUSHING 28-12-4ZL-32.5 SPLIT TAPER
2	39905500	1	ORIFICE, FAN 28 INCH
ORIFICE AND FAN FOR 55/75KW			
1	54427646	1	FAN, 32 INCH, 28MM BUSHING 32-12-5ZL-32.5 SPLIT TAPER
2	39905526	1	ORIFICE, FAN 32 INCH



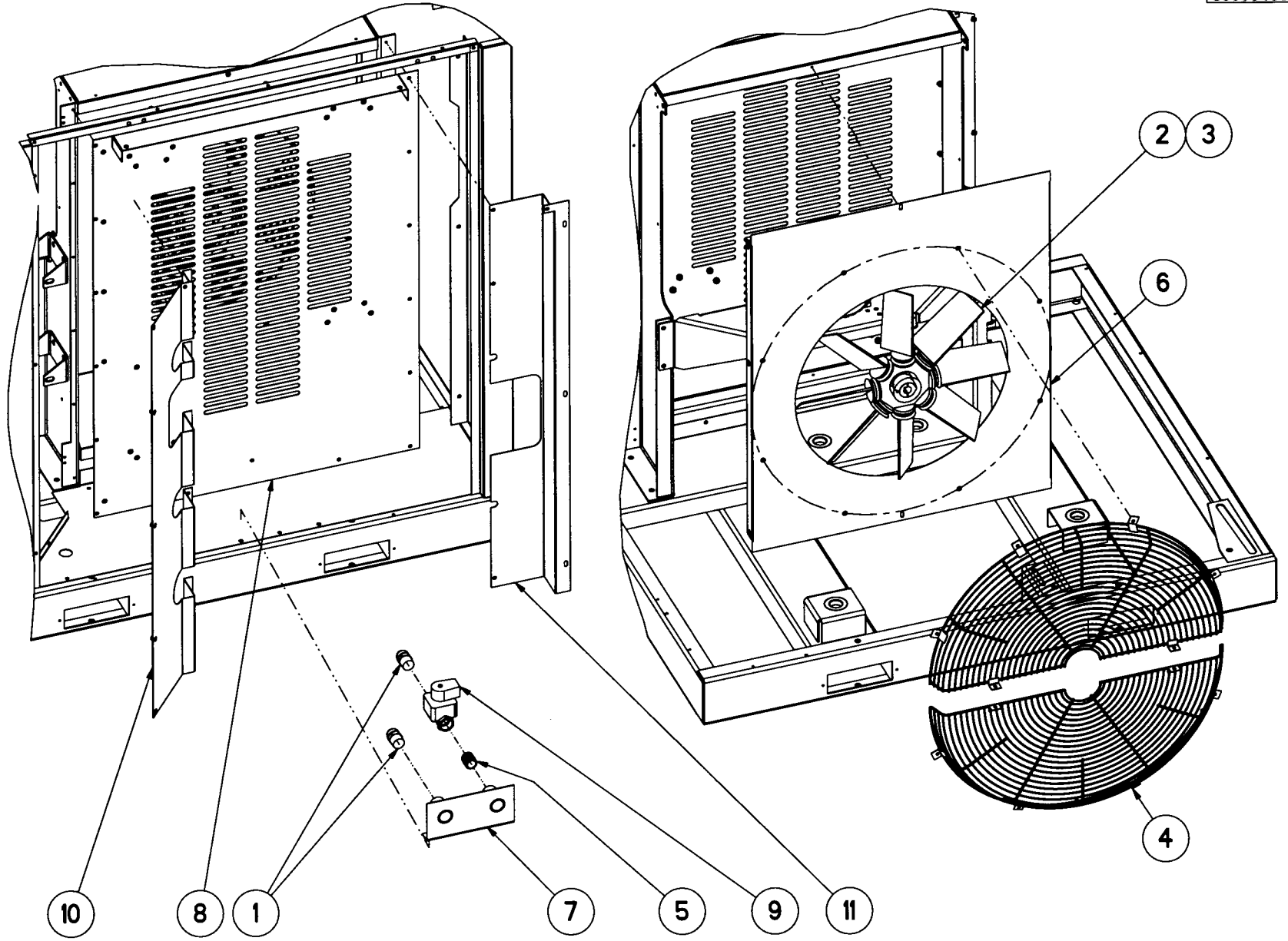
50-75HP 37-55KW MOISTURE SEPARATOR

REF. NO.	PART NUMBER	QTY.	DESCRIPTION
1	39128475	2	SCREW, FLANGE HEAD .38 X .75 LONG ZINC PLATED
2	39128483	2	SCREW, WHIZ LOCK .38 X 1.00 LONG ZINC PLATED
3	39128558	2	NUT, WHIZ LOCK .31 ZINC PLATED
4	39128566	4	NUT, FLANGE .38 ZINC PLATED
5	39137518	1	HOSE, SYNDFLEX 18.00 LONG
6	39137534	2	ELBOW, BARBED .50 NPT X .50 TUBE ID
7	39155577	1	ELBOW, .13 NPT X .25 TUBE
8	39573100	1	HOSE, HYDRAULIC 1.50 NOMINAL X 41.75 LONG
9	39586672	1	TRAP, CONDENSATE
10	39906334	1	SEPARATOR, MOISTURE
11	39916655	1	BRACKET, MOISTURE SEPARATOR 1.50 INCH
12	95220844	2	CLAMP, HOSE
13	95929006	2	SCREW, WHIZ LOCK .31 X 1.00 LONG
14	95937553	1	CONNECTOR, 1.50 TUBE X 1.50 NPT



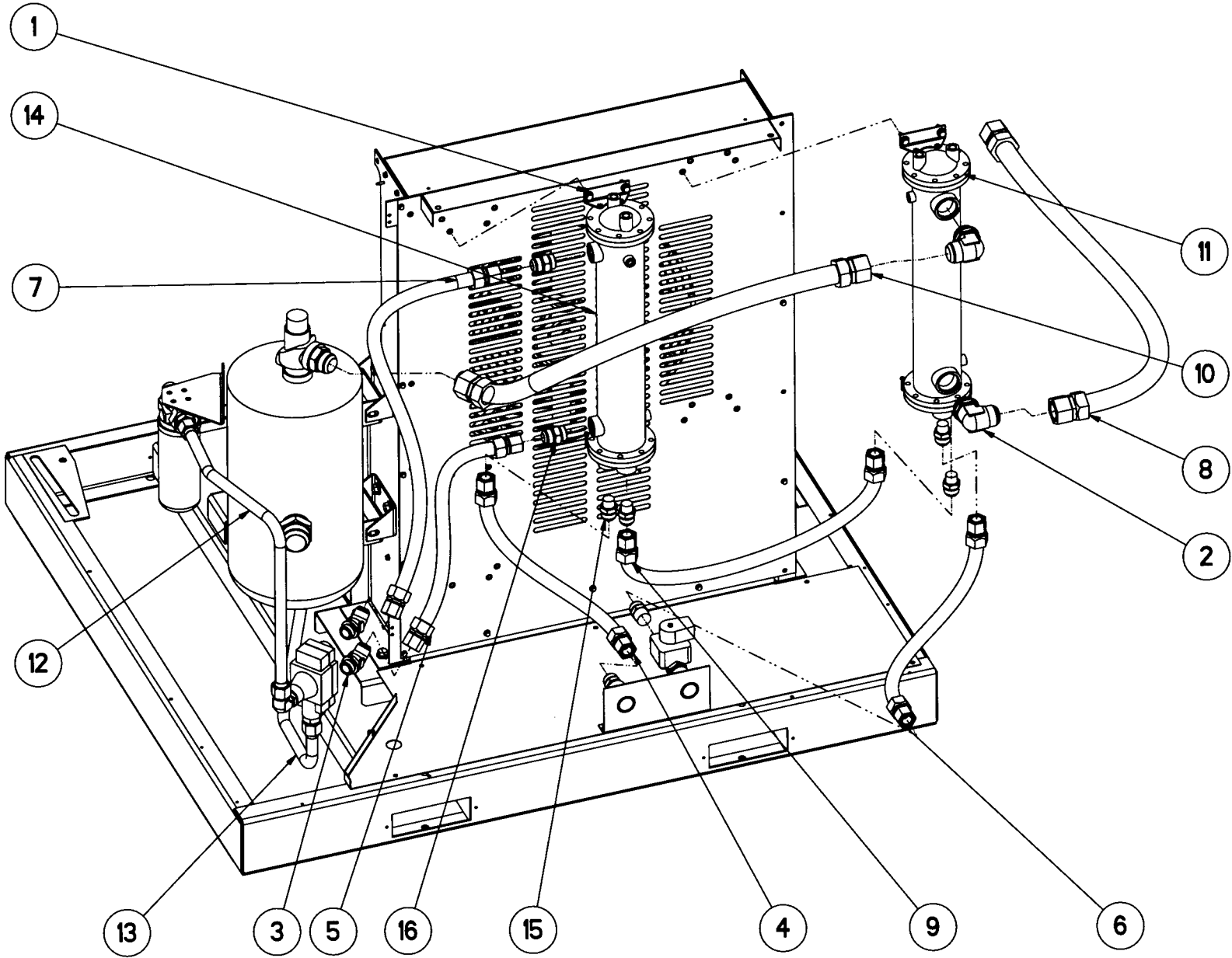
100HP 75KW MOISTURE SEPARATOR

REF. NO.	PART NUMBER	QTY.	DESCRIPTION
1	39128475	2	SCREW, FLANGE HEAD .38 X .75 LONG ZINC PLATED
2	39128483	2	SCREW, WHIZ LOCK .38 X 1.00 LONG ZINC PLATED
3	39128566	6	NUT, FLANGE .38 ZINC PLATED
4	39137518	1	HOSE, SYNFLEX 18.00 LONG
5	39137534	2	ELBOW, BARBED .50 NPT X .50 TUBE ID
6	39156393	1	CONNECTOR, .13 NPT X .25 TUBE
7	39572219	1	HOSE, HYDRAULIC 2.00 NOMINAL X 38.00 LONG
8	39586292	1	SEPARATOR, MOISTURE
9	39586672	1	TRAP, CONDENSATE
10	39915426	1	BRACKET, MOISTURE SEPARATOR 2.00 INCH
11	95220844	2	CLAMP, HOSE
12	95920674	2	SCREW, HEX HEAD .38 X 1.00 LONG
13	95937561	1	CONNECTOR, 2.00 TUBE X 2.00 NPT



50-100HP, 37-75KW WATER COOLED COMMON

REF. NO.	PART NUMBER	QTY.	DESCRIPTION
1	95937520	2	CONNECTOR, 1.00 TUBE X 1.00 NPT
2	39197835	1	FAN, 24 INCH, .875 INCH BUSHING 24-8-3L-PP-45A SPLIT TAPER 100HP UNITS
3	54430129	1	FAN, 24 INCH, 24MM BUSHING 24-8-3L-PAG-45-A SPLIT TAPER 37-75 KW UNITS
4	39905716	2	GUARD, FAN
5	95946117	1	NIPPLE, 1.00 NPT X 1.50 LONG ZINC
6	39904776	1	ORIFICE, FAN 24 INCH
7	39901129	1	PANEL, COUPLINGS WATER CONNECTIONS
8	39904842	1	SUPPORT AND FAN GUARD COOLERS W/C
9	39479803	1	VALVE, WATER SHUT OFF DIN 1.00 NPT
10	39909718	1	WALL, LEFT PLENUM WATER COOLED
11	39906102	1	WALL, RIGHT PLENUM WATER COOLED



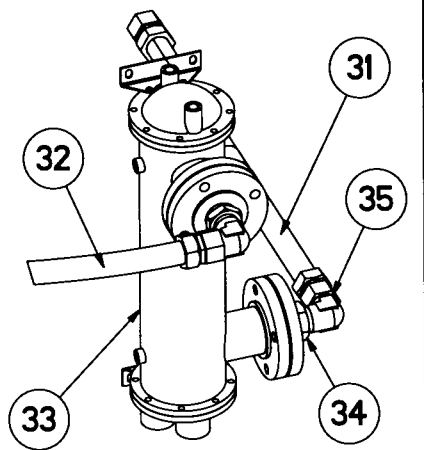
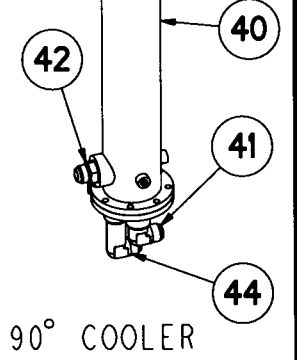
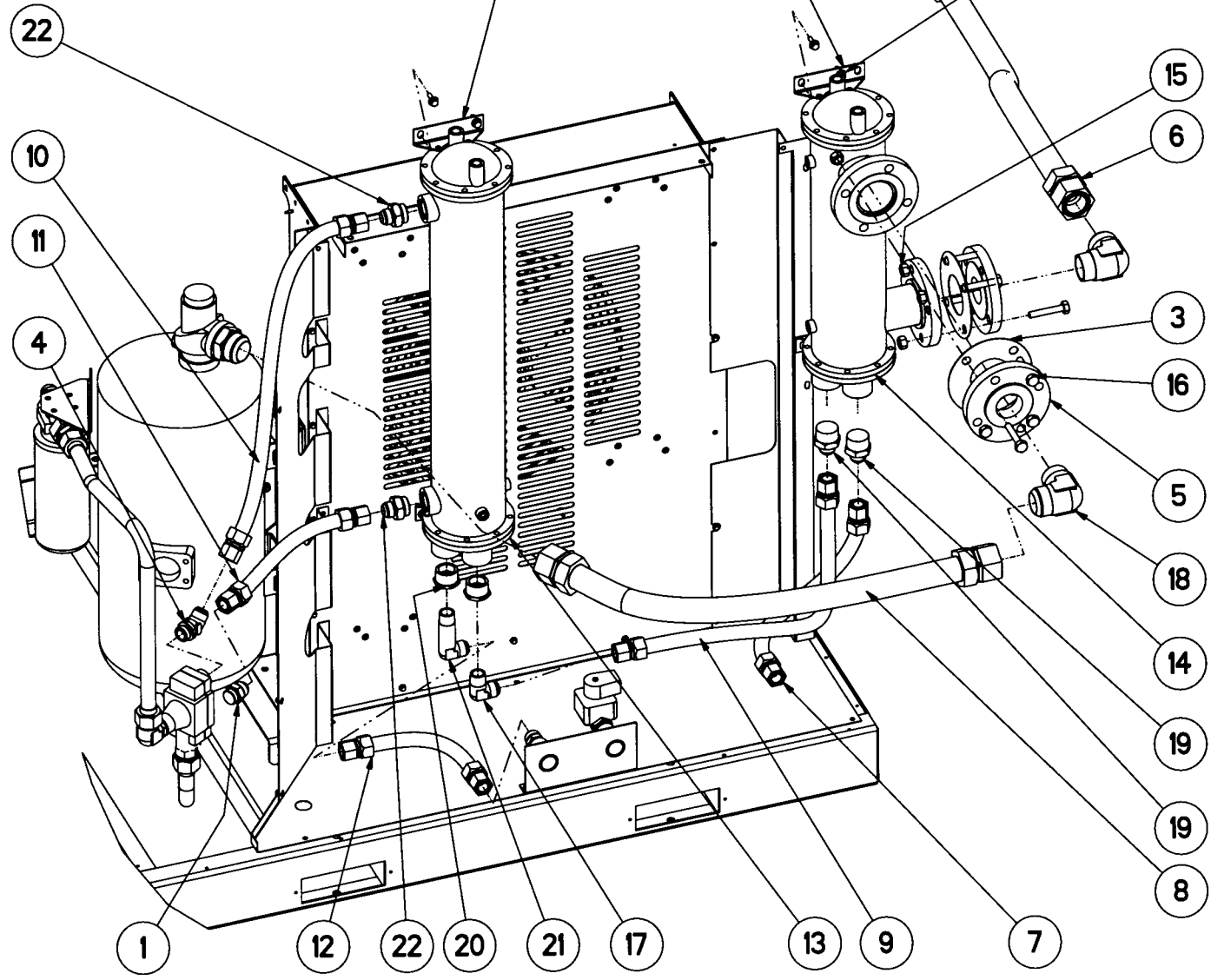
50/60HP 37/45KW WATER COOLED

REF. NO.	PART NUMBER	QTY.	DESCRIPTION
1	39128483	8	SCREW, WHIZ LOCK .38 X 1.00 LONG ZINC PLATED.
2	39128673	2	ELBOW, 1.50 TUBE X 1.88 SAE .
3	39477021	2	ELBOW, 45° 1.00 TUBE X 1.31 SAE .
4	39572243	1	HOSE, HYDRAULIC 1.00 NOMINAL X 25.00 LONG .
5	39572243	1	HOSE, HYDRAULIC 1.00 NOMINAL X 25.00 LONG .
6	39572243	1	HOSE, HYDRAULIC 1.00 NOMINAL X 25.00 LONG .
7	39572433	1	HOSE, HYDRAULIC 1.00 NOMINAL X 38.00 LONG.
8	39572482	1	HOSE, HYDRAULIC 1.50 NOMINAL X 49.00 LONG.
9	39572508	1	HOSE, HYDRAULIC 1.00 NOMINAL X 45.00 LONG.
10	39573100	1	HOSE, HYDRAULIC 1.50 NOMINAL X 41.75 LONG.
11	39796644	1	AFTERCOOLER .
12	39900170	1	TUBE, THERMAL VALVE .
13	39900352	1	TUBE, THERMAL VALVE TO TANK.
14	39900550	1	COOLER, OIL 90 & 115F WATERCOOLED (4024).
15	95937538	4	CONNECTOR, 1.00 TUBE X .75 NPT .
16	95938148	2	CONNECTOR, 1.00 TUBE X 1.31 SAE .

DRAWING NUMBER REV
39908470 04

100HP 75KW AFTERCOOLER

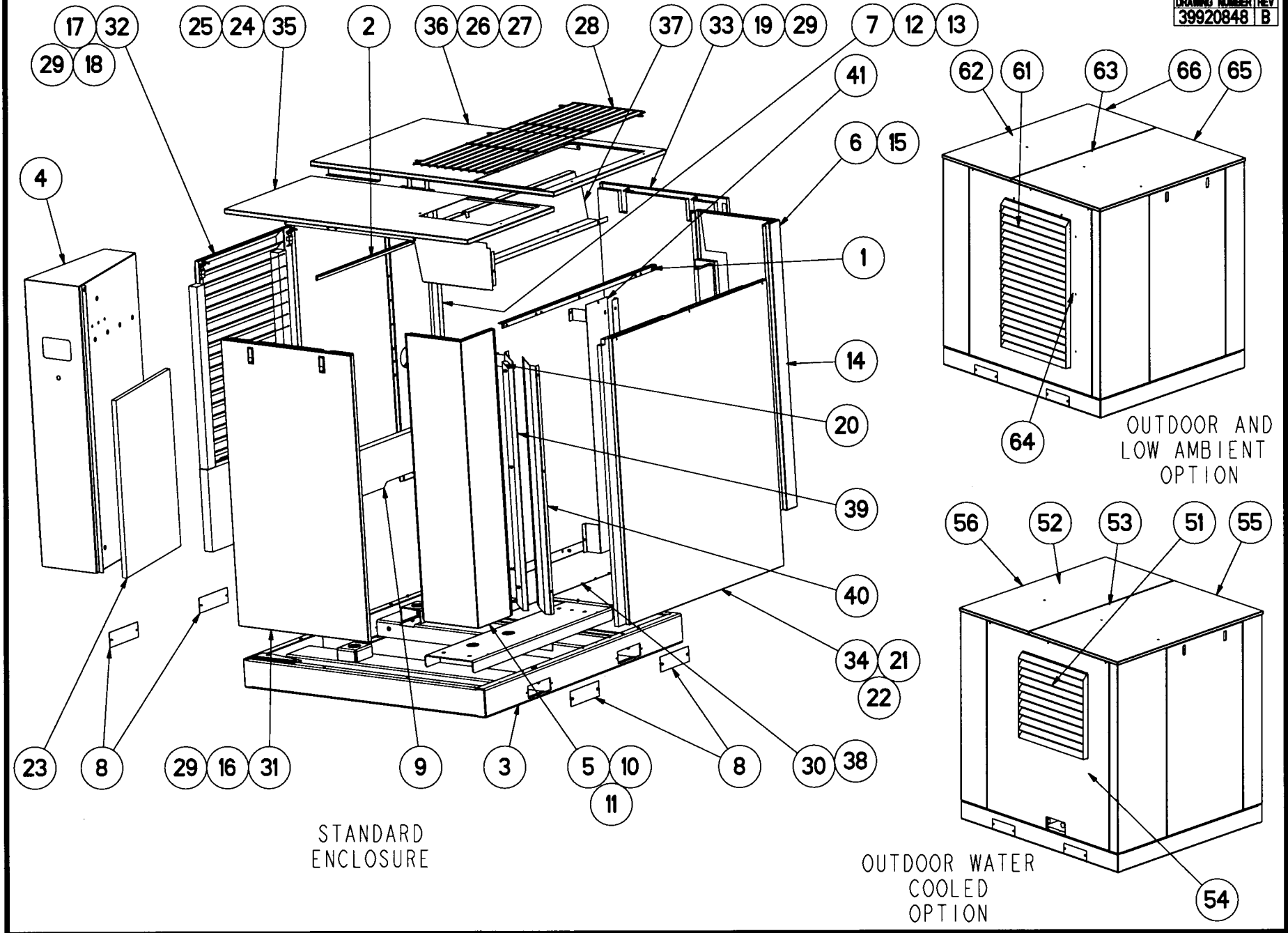
115° COOLER



75/100HP 55/75KW WATER COOLED (100HP 75KW AFTERCOOLER SHOWN)			
REF. NO.	PART NUMBER	QTY.	DESCRIPTION
1	39111752	1	CONNECTOR, 1.00 TUBE X 1.31 SAE .
2	39128483	8	SCREW, WHIZ LOCK .38 X 1.00 LONG ZINC PLATED.
3	39454525	2	GASKET, FLANGE .
4	39477021	1	ELBOW, 45° 1.00 TUBE X 1.31 SAE .
5	39479845	2	FLANGE, THREADED REDUCING 3.00 X 2.00 150 LB. STEEL.
6	39572219	1	HOSE, HYDRAULIC 2.00 NOMINAL X 38.00 LONG .
7	39572243	1	HOSE, HYDRAULIC 1.00 NOMINAL X 25.00 LONG .
8	39572276	1	HOSE, HYDRAULIC 2.00 NOMINAL X 41.50 LONG .
9	39572375	1	HOSE, HYDRAULIC 1.00 NOMINAL X 33.00 LONG .
10	39572433	1	HOSE, HYDRAULIC 1.00 NOMINAL X 38.00 LONG .
11	39572755	1	HOSE, HYDRAULIC 1.00 NOMINAL X 14.75 LONG.
12	39577176	1	HOSE, HYDRAULIC 1.00 NOMINAL X 16.50 LONG.
13	39900527	1	COOLER, OIL 115 F WATER COOLED (6036).
14	39900543	1	AFTERCOOLER, 90° & 115°F (6024) WATER COOLED.
15	95923355	8	NUT, HEX .63 .
16	95934170	8	SCREW, HEX HEAD .63 X 3.00 LONG ZINC.
17	95937645	1	ELBOW, 1.00 TUBE X 1.00 NPT .
18	95937678	2	ELBOW, 2.00 TUBE X 2.00 NPT .
19	95939336	2	CONNECTOR, 1.00 TUBE X 1.50 NPT .
20	95941043	2	BUSHING, REDUCER 1.50 NPT X 1.00 FNPT .
21	95950002	1	ELBOW, EXTRA LONG 1.00 TUBE X 1.00 NPT .
22	95974291	2	CONNECTOR, 1.00 TUBE X 1.63 SAE .

75HP 55KW AFTERCOOLER			
REF. NO.	PART NUMBER	QTY.	DESCRIPTION
31	39572383	1	HOSE, HYDRAULIC 1.50 NOMINAL X 38.0 LONG.
32	39573100	1	HOSE, HYDRAULIC 1.50 NOMINAL X 41.75 LONG .
33	39900543	1	AFTERCOOLER, 90° & 115°F (6024) WATER COOLED.
34	95937462	2	BUSHING, REDUCER 2.00 NPT X 1.50 FNPT .
35	95949749	2	ELBOW, 1.50 TUBE X 1.50 NPT .

90° COOLER			
REF. NO.	PART NUMBER	QTY.	DESCRIPTION
40	39900535	1	COOLER, OIL 90°F WATER COOLED (4036)
41	95937652	1	ELBOW, 1.00 TUBE X .75 NPT
42	95938148	2	CONNECTOR, 1.00 TUBE X 1.31 SAE
44	95972980	1	ELBOW, EXTRA LONG 1.00 TUBE X .75 NPT



STANDARD ENCLOSURE

OUTDOOR AND LOW AMBIENT OPTION

OUTDOOR WATER COOLED OPTION

STANDARD ENCLOSURE

REF. NO.	PART NUMBER	QTY.	DESCRIPTION	COMMENTS
1	39907449	1	ANGLE, EXHAUST	
2	39893789	1	ANGLE, INTAKE	
3	54415229	1	BASE, UNIT COUGAR	
4	39894621	1	BOX, STARTER	
5	39892161	1	CORNER, FRONT	
6	39915228	1	CORNER, REAR	
7	39915236	1	CORNER, REAR (MOISTURE SEPARATOR)	
8	39480470	4	COVER, FORKLIFT COVER	
9	39589304	1	FOAM, 2 INCH 75DB INTAKE BATT	
10	39897129	1	FOAM, CORNER FRONT (FRONT SIDE)	OPTIONAL
11	39897145	1	FOAM, CORNER FRONT (RIGHT SIDE)	OPTIONAL
12	39905781	1	FOAM, CORNER MOISTURE SEPARATOR (BACK)	OPTIONAL
13	39897137	1	FOAM, CORNER REAR (LEFT SIDE)	OPTIONAL
14	39902523	1	FOAM, CORNER REAR (RIGHT SIDE)	OPTIONAL
15	39918560	1	FOAM, CORNER REAR (RIGHT, BACK)	
16	39897152	1	FOAM, FRONT PANEL	OPTIONAL
17	39897194	1	FOAM, INTAKE PANEL (BOTTOM)	OPTIONAL
18	39902580	2	FOAM, INTAKE PANEL (TOP)	OPTIONAL
19	39918578	1	FOAM, LEFT AND REAR	
20	39902622	1	FOAM, LEFT PLENUM WALL	OPTIONAL
21	39261730	2	FOAM, RIGHT PANEL	

STANDARD ENCLOSURE

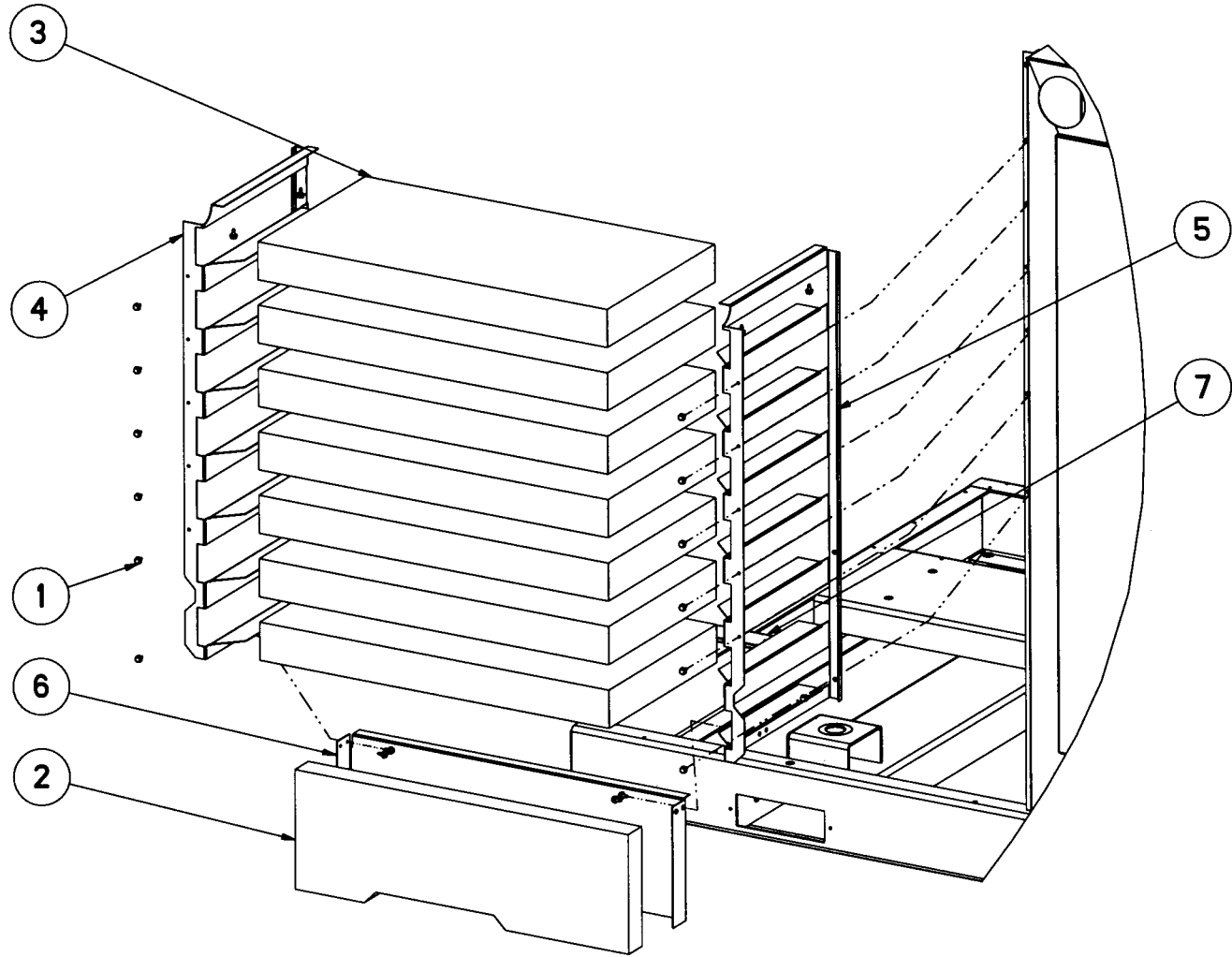
REF. NO.	PART NUMBER	QTY.	DESCRIPTION	COMMENTS
22	39902630	2	FOAM, RIGHT PLENUM WALL	
23	39902770	1	FOAM, STARTER BOX	
24	39261755	1	FOAM, TOP FRONT (LEFT)	
25	39897178	1	FOAM, TOP FRONT (RIGHT)	OPTIONAL
26	39261748	1	FOAM, TOP REAR (RIGHT)	
27	39897186	1	FOAM, TOP REAR (LEFT SIDE)	OPTIONAL
28	39905963	1	GRILL, EXHAUST	
29	39133954	6	LATCH, DOOR	
30	39908017	1	PANEL, BOTTOM PLENUM	
31	39892146	1	PANEL, FRONT	
32	39903364	1	PANEL, INTAKE	
33	39915251	1	PANEL, LEFT AND REAR	
34	39912498	1	PANEL, RIGHT	
35	39915558	1	PANEL, TOP STARTER BOX	
36	39915566	1	PANEL, TOP REAR	
37	39915244	1	PLENUM, TOP	
38	39161070	1	PLUG, KNOCKOUT	
39	39909734	1	WALL, LEFT PLENUM	
40	39909189	1	WALL, PLENUM LEFT	
41	39901699	1	WALL, RIGHT PLENUM	OPTIONAL

OUTDOOR & LOW AMBIENT OPTION

REF. NO.	PART NUMBER	QTY.	DESCRIPTION
61	39912480	1	PANEL, EXHAUST
62	39918107	1	FOAM, TOP FRONT (OUTDOOR)
63	39918115	1	FOAM, TOP REAR (RIGHT SIDE)
64	39918123	1	FOAM, RIGHT PANEL (OUTDOOR)
65	39919790	1	PANEL, TOP REAR (OUTDOOR)
66	39919808	1	PANEL, TOP STARTER BOX (OUTDOOR)

ODM WATER COOLED OPTION

REF. NO.	PART NUMBER	QTY.	DESCRIPTION
51	39912506	1	PANEL, WATER COOLED RIGHT
52	39918107	1	FOAM, TOP FRONT (OUTDOOR)
53	39918115	1	FOAM, TOP REAR (RIGHT SIDE)
54	39918123	1	FOAM, RIGHT PANEL (OUTDOOR)
55	39919790	1	PANEL, TOP REAR (OUTDOOR)
56	39919808	1	PANEL, TOP STARTER BOX (OUTDOOR)



75DBA INTAKE			
REF. NO.	PART NUMBER	QTY.	DESCRIPTION
1	39133145	22	SCREW, WASHER HEAD TAPPING .25 X .50 LONG ZINC PLATED
2	39589304	1	FOAM, 2 INCH 75DB INTAKE BATT
3	39898390	7	BATT, INTAKE
4	39906565	1	WALL, BATT LEFT
5	39906573	1	WALL, BATT RIGHT
6	39906581	1	WALL, BOTTOM INTAKE BATT
7	39906599	1	ANGLE, BATT

SSR 50/60 HP (37-45 KW) Recommended Spare Parts

Compressor Part	Part No.	Qty. Per Unit	Location or Use
Maintenance Kit	39669411	0	Maintenance Kit with Ultra Coolant
Ultra Coolant-(5 Gal. Container)	39433735	1	Fill 6 Gallons
Air Filter Element	39708466	1	At Airend Inlet
Coolant Filter Element	39856844	1	On Coolant Filter
Separator Element	39895610	1	In Separator Tank
Thermostatic Control Valve Element	39902382	1	In Thermostatic Control Valve
Thermostatic Control Valve	39902374	1	Between Cooler and Filter
Blowdown Solenoid Valve (NEMA-1)	39136932	1	On Top of Tank (3SV)
Blowdown Solenoid Valve (NEMA-4)	39479563	1	On Top of Tank (3SV)
Load Solenoid Valve 1SV (NEMA-1)	39418926	1	Rear of Starter Box
Load Solenoid Valve 1SV (NEMA-4)	39146741	1	Rear of Starter Box
Line/Sump Solenoid Valve 10SV (NEMA-1)	39583943	1	Rear of Starter Box
Line/Sump Solenoid Valve 10SV (NEMA-4)	39497672	1	Rear of Starter Box
Modulate Solenoid Valve (Optional NEMA-1)	39530852	1	Rear of Starter Box
Modulate Solenoid Valve (Optional NEMA-4)	39497680	1	Rear of Starter Box
Modulate Solenoid Valve (Optional NEMA-1)	39583943	1	Rear of Starter Box
Modulate Solenoid Valve (Optional NEMA-4)	39497672	1	Rear of Starter Box
Regulator Valve (XF & EP Models)	39905542	1	Rear of Starter Box
Regulator Valve (HP & XP Models)	39905682	1	Rear of Starter Box
Pressure Transducer	39853809	1	Rear of Starter Box
Temperature Sensor	39586227	1	Airend Discharge
Coolant Solenoid Valve 50 HP (NEMA 1)	39476825	1	In Coolant Filter Line (5SV)
Coolant Solenoid Valve 50 HP (NEMA 4)	39479530	1	In Coolant Filter Line (5SV)
Coolant Solenoid Valve 60 HP (NEMA 1)	39476569	1	In Coolant Filter Line (5SV)
Coolant Solenoid Valve 60 HP (NEMA 4)	39479548	1	In Coolant Filter Line (5SV)
High Air Temperature Switch	39419668	1	In Airend (1ATS)
O-Ring	39404165	1	On HATS
Inlet Valve	42435891	1	Under Air Filter
Gasket, Inlet Valve	39476304	1	Under Inlet Valve
Indicator, Air Filter	39124722	1	On Inlet Valve
Cylinder, Pneumatic	39589056	1	At Inlet Valve
Rod End Bearing	39325154	1	On Cylinder
Minimum Pressure Valve	39475637	1	Tank Discharge Line
Breather Filter	39112362	1	On Gearcase Wall
Discharge Check Valve	39477674	1	Airend Disch. to Sep. Tank
Gasket, Discharge Check Valve	39326228	2	At Discharge Check Valve
Tank Relief Valve (50 HP)	39587993	1	On Separator Tank
Tank Relief Valve (60 HP)	39587951	1	On Separator Tank
Decal Set	39244355	1	
Discharge Hose	54385711	1	At Airend Discharge
Hose, Tank Scavenge	39578406	1	Scavenge Orifice to Airend
Hose, Blowdown to Inlet	39575147	1	Blowdown Valve to Inlet
Hose, Coolant Filter to Airend	39572177	1	Oil Filter to Airend
Hose, Aftercooler to Moisture Separator	39573100	1	Aftercooler to Moisture Separator
Hoses, Aircooled			
Hose, Coolant Cooler Aircooled	39572755	1	Thermal Valve to Coolant Cooler
Hose, Coolant Cooler Aircooled	39589528	1	Coolant Cooler to Thermal Valve

SSR 50/60 HP (37-45 KW) Recommended Spare Parts

Compressor Part	Part No.	Qty. Per Unit	Location or Use
Hoses, Watercooled			
Hose, Water In	39572243	1	Water In to Aftercooler
Hose, Aftercooler to Coolant Cooler W/C	39572375	1	Aftercooler to Coolant Cooler
Hose, Water Out	39572896	1	Coolant Cooler to Water Out
Hose, Coolant Cooler Watercooled	39572896	1	Thermal Valve to Coolant Cooler
Hose, Coolant Cooler Watercooled	39572433	1	Coolant Cooler to Thermal Valve
Hose, Sep. Tank to Aftercooler W/C 75 HP	39573100	1	Tank to Aftercooler
Hose, Sep. Tank to Aftercooler W/C 100 HP	39572276	1	Tank to Aftercooler
Controller	39817655	1	In Control Box
Gasket, Controller	39495874	1	Intellisys to Control Box
Transformer, 230VA 60 Hz	39301981	1	In Control Box
Transformer, 330VA 60 Hz	39491519	1	In Control Box
Transformer, 330VA 50 Hz	39318142	1	In Control Box
Switch, Emergency Stop	39549167	1	In Control Box
Power On Light	39196225	1	In Control Box
Coil, for 60, 72 & 85 Amp Contactors	39251327	*	In 60, 72 or 85 Amp Contactor
Coil, for 75 Amp Contactor	39251343	*	In 75 Amp Contactor
Coil, for 110 Amp Contactor	39251350	*	In 110 Amp Contactor
Contact Kit, for 110 Amp Contactor	39251392	*	In 110 Amp Contactor
Coil, for 180 Amp Contactor	39251368	*	In 180 Amp Contactor
Contact Kit, for 180 Amp Contactor	39251400	*	In 180 Amp Contactor
Coil, for 250 Amp Contactor	39251376	*	In 250 Amp Contactor
Contact Kit, for 250 Amp Contactor	39251418	*	In 250 Amp Contactor
Overload Relay	39251087	*	For 60/72/85 Amp Contactors
Overload Relay	39251095	*	For 110 Amp Contactor
Overload Relay	39251103	*	For 180 Amp Contactor
Overload Relay	39251111	*	For 250 Amp Contactor
Mechanical/Electrical Interlock	39251186	*	For 60/72/85 Amp Contactors
Mechanical/Electrical Interlock	39251194	*	For 110/180/250 Amp Contactors
Auxiliary Switch 4 N.O Contacts	39251129	*	For 60/72/85 Amp Contactors
Auxiliary Switch 1 N.O. / 1 N.C. Contacts	39251137	*	For 60/72/85 Amp Contactors
Auxiliary Switch 2 N.O. / 2 N.C. Contacts	39251145	*	For 60/72/85 Amp Contactors
Auxiliary Switch 2 N.O. Contacts	39251160	*	For 110/180/250 Amp Contactors
Auxiliary Switch 1 N.O. Contacts	39251152	*	For 110/180/250 Amp Contactors
Auxiliary Switch 1 N.O. / 1 N.C. Contacts	39251178	*	For 110/180/250 Amp Contactors
Circuit Breaker/Overload 4 A	39251236	*	Fan Motor Circuit
Circuit Breaker/Overload 6.3 A	39251244	*	Fan Motor Circuit
Circuit Breaker/Overload 10 A	39251251	*	Fan Motor Circuit
Circuit Breaker/Overload 16 A	39251269	*	Fan Motor Circuit
Circuit Breaker/Overload 20 A	39251277	*	Fan Motor Circuit
Auxiliary Sw. for Circuit Bkr/Overload 1 N.O.	39251285	1	Fan Motor Circuit

* Refer to Starter Assembly Section

SSR 75/100 HP (55-75 KW) Recommended Spare Parts

Compressor Part	Part No.	Qty. Per Unit	Location or Use
Maintenance Kit	39669437	0	Maintenance Kit with Ultra Coolant
Ultra Coolant.(5 Gal. Container)	39433735	2	Fill 9 Gallons
Air Filter Element	39708466	2	At Airend Inlet
Coolant Filter Element	39856836	1	On Coolant Filter
Separator Element	39894597	1	In Separator Tank
Thermostatic Control Valve Element	39902382	1	In Thermostatic Control Valve
Thermostatic Control Valve	39902374	1	Between Cooler and Filter
Blowdown Solenoid Valve (NEMA-1)	39120472	1	On Top of Tank (3SV)
Blowdown Solenoid Valve (NEMA-4)	39479571	1	On Top of Tank (3SV)
Load Solenoid Valve 1SV (NEMA-1)	39418926	1	Rear of Starter Box
Load Solenoid Valve 1SV (NEMA-4)	39146741	1	Rear of Starter Box
Line/Sump Solenoid Valve 10SV (NEMA-1)	39583943	1	Rear of Starter Box
Line/Sump Solenoid Valve 10SV (NEMA-4)	39497672	1	Rear of Starter Box
Modulate Solenoid Valve (Optional NEMA-1)	39530852	1	Rear of Starter Box
Modulate Solenoid Valve (Optional NEMA-4)	39497680	1	Rear of Starter Box
Modulate Solenoid Valve (Optional NEMA-1)	39583943	1	Rear of Starter Box
Modulate Solenoid Valve (Optional NEMA-4)	39497672	1	Rear of Starter Box
Regulator Valve (XF & EF Models)	39905542	1	Rear of Starter Box
Regulator Valve (HP & XF Models)	39905682	1	Rear of Starter Box
Pressure Transducer	39853809	1	Rear of Starter Box
Temperature Sensor	39586227	1	Airend Discharge
Coolant Solenoid Valve (NEMA 1)	39476569	1	In Coolant Filter Line (5SV)
Coolant Solenoid Valve (NEMA 4)	39479548	1	In Coolant Filter Line (5SV)
High Air Temperature Switch	39419668	1	In Airend (1ATS)
O-Ring	39404165	1	On HATS
Inlet Valve	42435891	1	Under Air Filter
Gasket, Inlet Valve	39476304	1	Under Inlet Valve
Indicator, Air Filter	39124722	1	On Inlet Valve
Cylinder, Pneumatic	39589056	1	At Inlet Valve
Rod End Bearing	39325154	1	On Cylinder
Minimum Pressure Valve, 75 HP	39475637	1	Tank Discharge Line
Minimum Pressure Valve, 100 HP	39475645	1	Tank Discharge Line
Breather Filter	39112362	1	On Gearcase Wall
Discharge Check Valve	39477674	1	Airend Disch. to Sep. Tank
Gasket, Discharge Check Valve	39326228	2	At Discharge Check Valve
Tank Relief Valve	39588116	1	On Separator Tank
Decal Set	39244355	1	
Discharge Hose	39905450	1	At Airend Discharge
Hose, Tank Scavenge	39578406	1	Scavenge Orifice to Airend
Hose, Blowdown to Inlet	39575279	1	Blowdown Valve to Inlet
Hose, Coolant Filter to Airend	39572458	1	Oil Filter to Airend
Hose, Aftercooler to Moisture Separator 75HP	39573100	1	Aftercooler to Moisture Separator
Hose, Aftercooler to Moisture Separator 100HP	39572219	1	Aftercooler to Moisture Separator
Hoses, Aircooled			
Hose, Coolant Cooler Aircooled	39572896	1	Thermal Valve to Coolant Cooler
Hose, Coolant Cooler Aircooled	39572086	1	Coolant Cooler to Thermal Valve

SSR 75/100 HP (55-75 KW) Recommended Spare Parts

Compressor Part	Part No.	Qty. Per Unit	Location or Use
Hoses, Watercooled			
Hose, Water In	39572243	1	Water In to Aftercooler
Hose, Aftercooler to Coolant Cooler W/C	39572375	1	Aftercooler to Coolant Cooler
Hose, Water Out	39572243	1	Coolant Cooler to Water Out
Hose, Coolant Cooler Watercooled	39572243	1	Thermal Valve to Coolant Cooler
Hose, Coolant Cooler Watercooled	39572508	1	Coolant Cooler to Thermal Valve
Hose, Sep. Tank to Aftercooler Watercooled	39573100	1	Tank to Aftercooler
Controller	39817655	1	In Control Box
Gasket, Controller	39495874	1	Intellisys to Control Box
Transformer, 230VA60 Hz	39301981	1	In Control Box
Transformer, 330VA 60 Hz	39491519	1	In Control Box
Transformer, 230VA 50 Hz	39318134	1	In Control Box
Transformer, 330VA 50 Hz	39318142	1	In Control Box
Switch, Emergency Stop	39549167	1	In Control Box
Power On Light	39196225	1	In Control Box
Coil, for 37 Amp Contactor	39251319	*	In 37 Amp Contactor
Coil, for 43 Amp Contactor	39251327	*	In 43 Amp Contactor
Coil, for 60, 72 & 85 Amp Contactors	39251327	*	In 60, 72 or 85 Amp Contactor
Coil, for 75 Amp Contactor	39251343	*	In 75 Amp Contactor
Coil, for 110 Amp Contactor	39251350	*	In 110 Amp Contactor
Contact Kit, for 110 Amp Contactor	39251392	*	In 110 Amp Contactor
Coil, for 180 Amp Contactor	39251368	*	In 180 Amp Contactor
Contact Kit, for 180 Amp Contactor	39251400	*	In 180 Amp Contactor
Coil, for 250 Amp Contactor	39251376	*	In 250 Amp Contactor
Contact Kit, for 250 Amp Contactor	39251418	*	In 250 Amp Contactor
Overload Relay	39251079	*	For 43 Amp Contactors
Overload Relay	39251087	*	For 60/72/85 Amp Contactors
Overload Relay	39251095	*	For 110 Amp Contactor
Overload Relay	39251103	*	For 180 Amp Contactor
Overload Relay	39251111	*	For 250 Amp Contactor
Mechanical/Electrical Interlock	39251186	*	For 37/43/72/60/85 Amp Contactors
Mechanical/Electrical Interlock	39251194	*	For 110/180/250 Amp Contactors
Auxiliary Switch 4 N.O. Contacts	39251129	*	For 37/43/72/60/85 Amp Contactors
Auxiliary Switch 1 N.O. / 1 N.C. Contacts	39251137	*	For 37/43/72/60/85 Amp Contactors
Auxiliary Switch 2 N.O. / 2 N.C. Contacts	39251145	*	For 37/43/72/60/85 Amp Contactors
Auxiliary Switch 2 N.O. Contacts	39251160	*	For 110/180/250 Amp Contactors
Auxiliary Switch 1 N.O. Contacts	39251152	*	For 110/180/250 Amp Contactors
Auxiliary Switch 1 NO. / 1 N.C. Contacts	39251178	*	For 110/180/250 Amp Contactors
Circuit Breaker/Overload 4 A	39251236	*	Fan Motor Circuit
Circuit Breaker/Overload 6.3 A	39251244	*	Fan Motor Circuit
Circuit Breaker/Overload 10 A	39251251	*	Fan Motor Circuit
Circuit Breaker/Overload 16 A	39251269	*	Fan Motor Circuit
Circuit Breaker/Overload 20 A	39251277	*	Fan Motor Circuit
Auxiliary Sw. for Circuit Bkr/Overload 1 N.O.	39251285	1	Fan Motor Circuit

* Refer to Starter Assembly Section