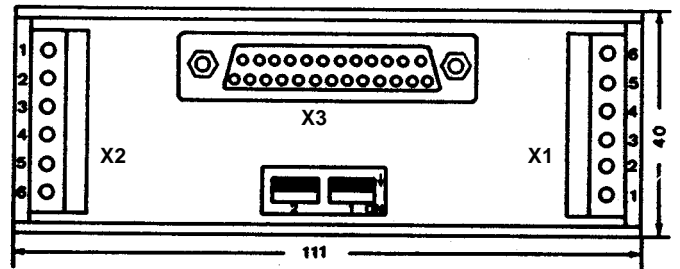
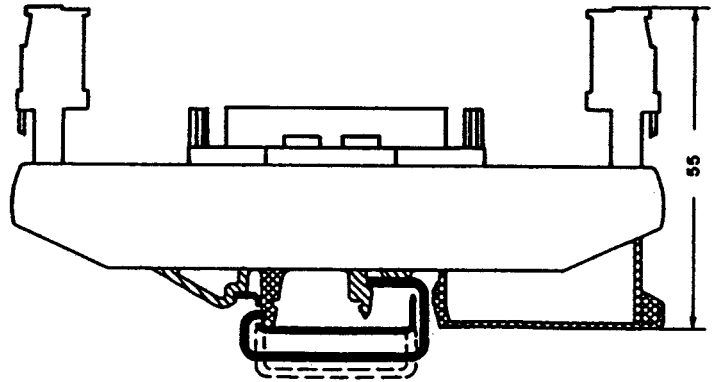
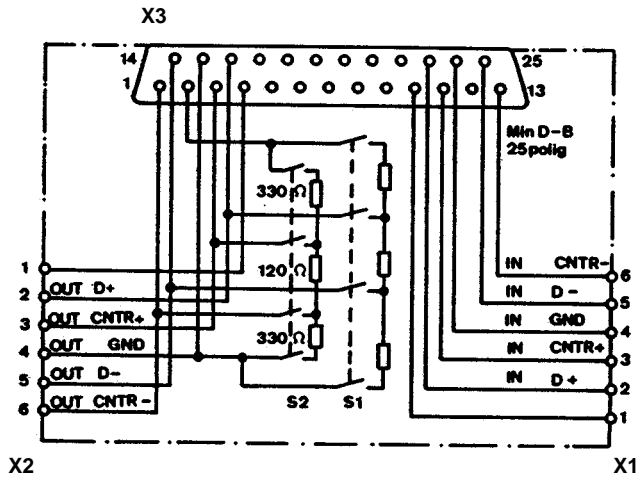




H 7506: Bus terminal
for the installation of HIBUS-2 (RS 485)



The bus terminal consists of a 25pole Min-D-socket to connect single channel PES and redundant PES H41q/H51q via the data cable BV 7040 and BV 7046.

The connections of the 2-wire bus are by means of two 6 pole plug clamps. By selection of 2 switches the bus terminating resistors can be switched on at each end of the 2-wire bus. If the bus terminal block H 7506 is used at the end of the 2-wire bus then the terminal block X2 cannot be connected.

Use of the bus terminal H 7506 see the following application and the applications in data sheet H 7505.

Mechanical design	Terminal box for top hat profile rail according to DIN 46277 two 6pole clamps for sections up to 2.5 mm ² , one 25 pole Min-D-socket
-------------------	---

Application: Programmer station (PADT) with RS 485 interface card
PC 485 ISA

