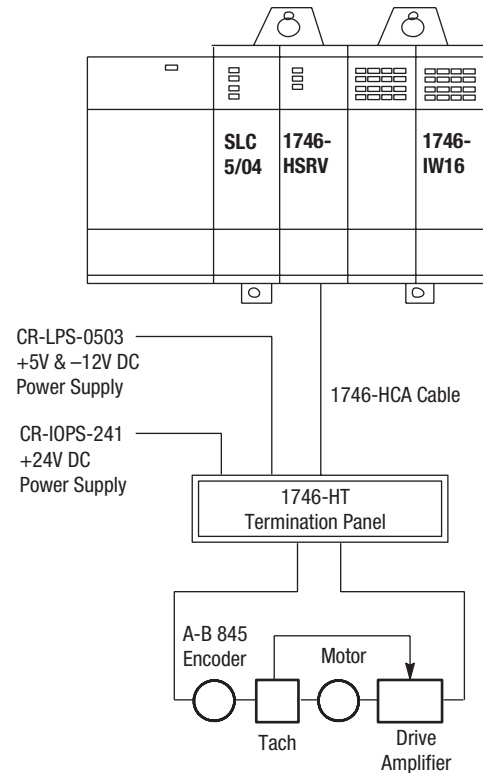


Figure 1.1 Example of an SLC Wiring



## SLC Servo Module Operation

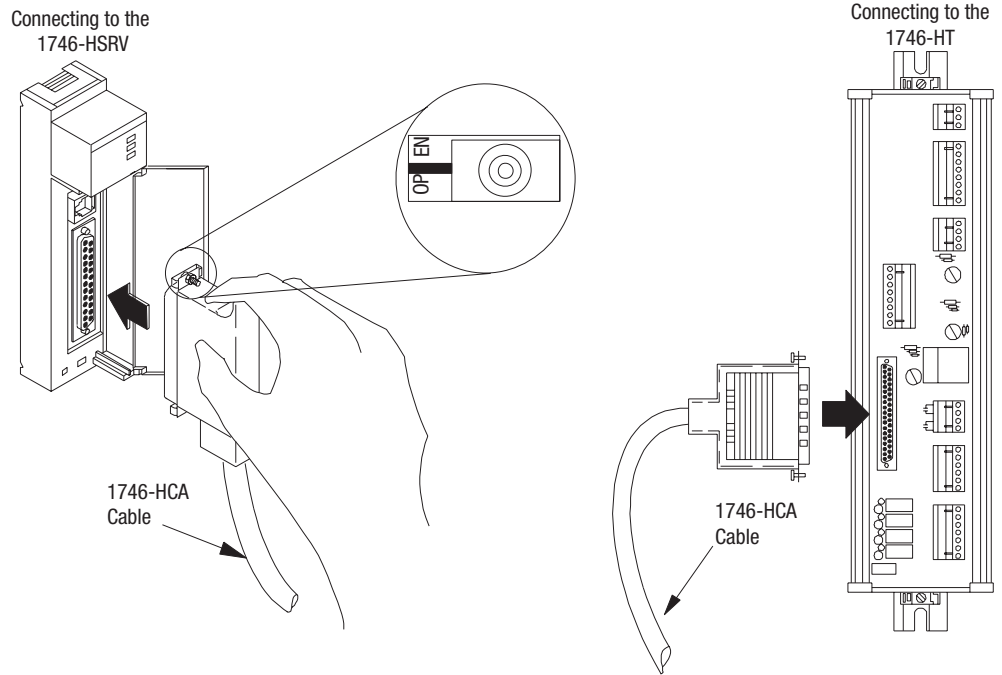
The SLC Servo Module, compatible with the SLC family, is used with SLC 5/03 FRN 5.0 (and above) processors using RSLogix 500, AI500 or APS (version 5.0 or higher) software. Once the SLC processor is initiated, the execution of the motion block is independent of the scan time of the processor. Blended motion allows for complicated move profiles consisting of two to thirty-two segments. The blended move profiles are stored in the SLC Servo Module's memory as a series of absolute moves and can be executed more than once. Other move or homing operations can be performed between blended move profiles.

The SLC Servo Module controls absolute position over a range of 32 bits. The SLC Servo Module performs an origin search (also called homing) and automatically resets the absolute position to the home position when the SLC processor requests a search function after detecting one of the following:

- Encoder marker
- Limit switch
- Limit switch and marker

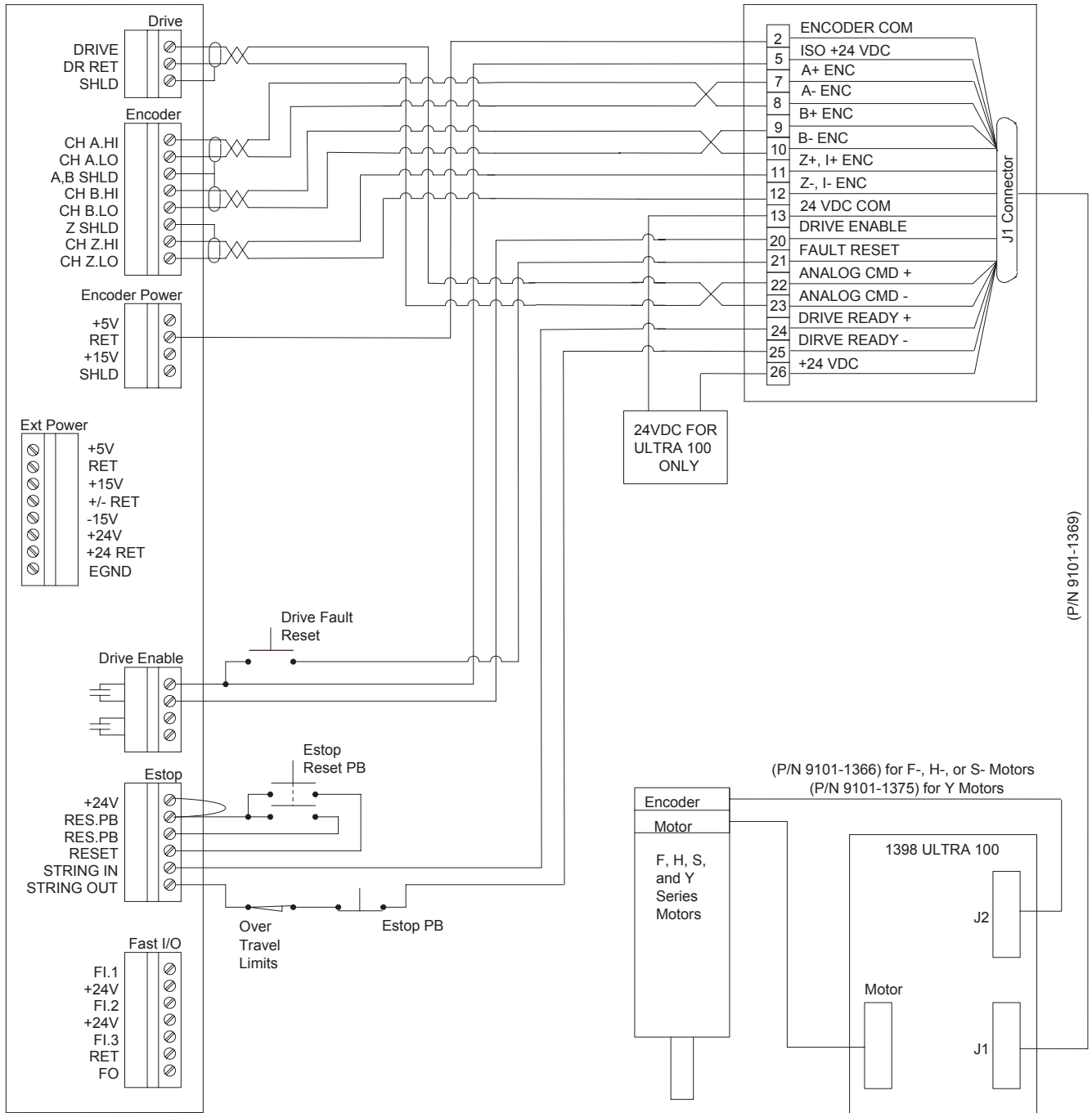
# Allen-Bradley 1746-HT

Figure 4.5 Connecting the 1746-HCA-Cable



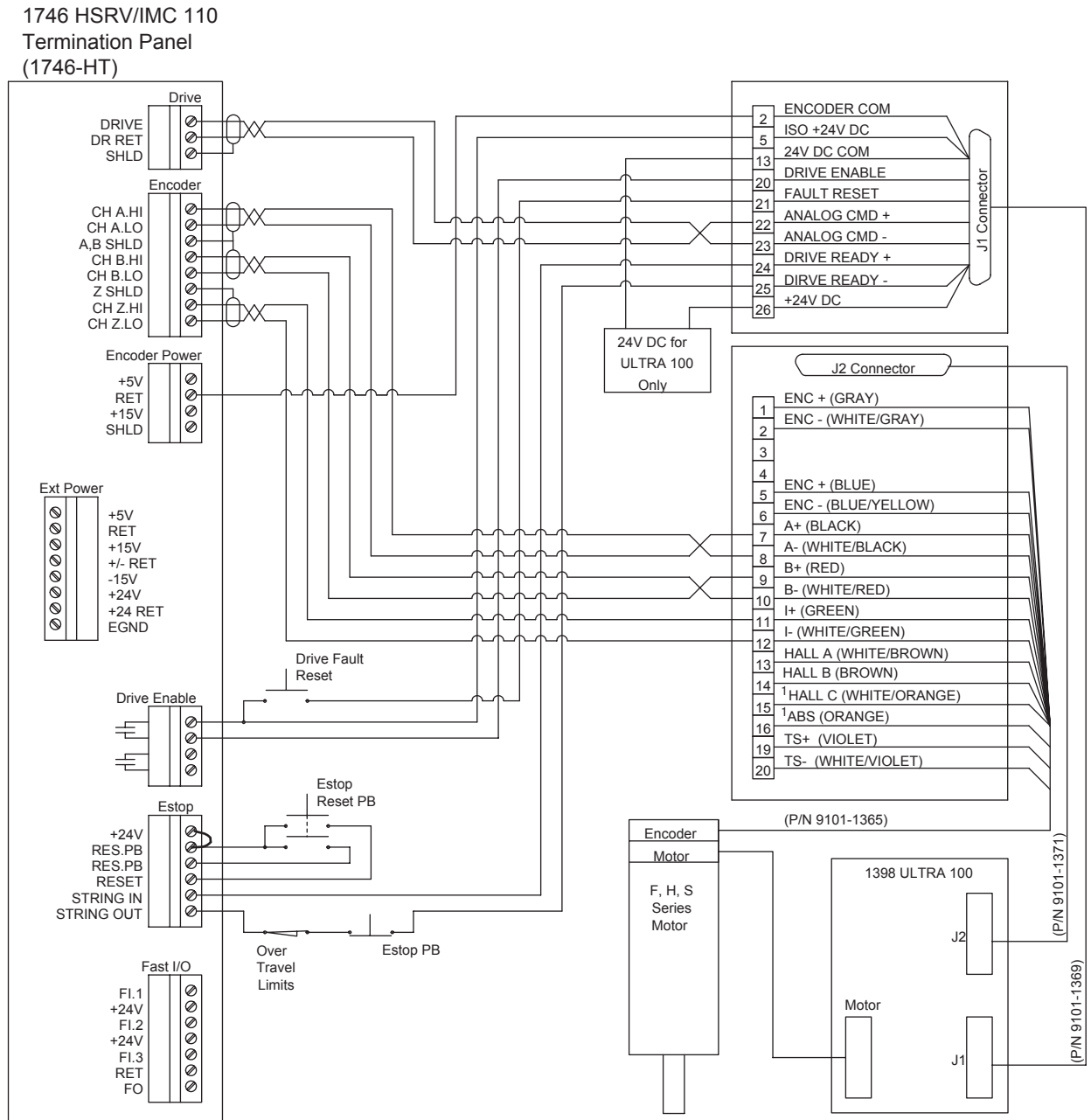
**Figure 5.24 Wiring Diagram for ULTRA 100 When Not Homing to a Marker and for ULTRA 200 When Homing to a Marker**

1746 HSRV/IMC 110  
Termination Panel  
(1746-HT)



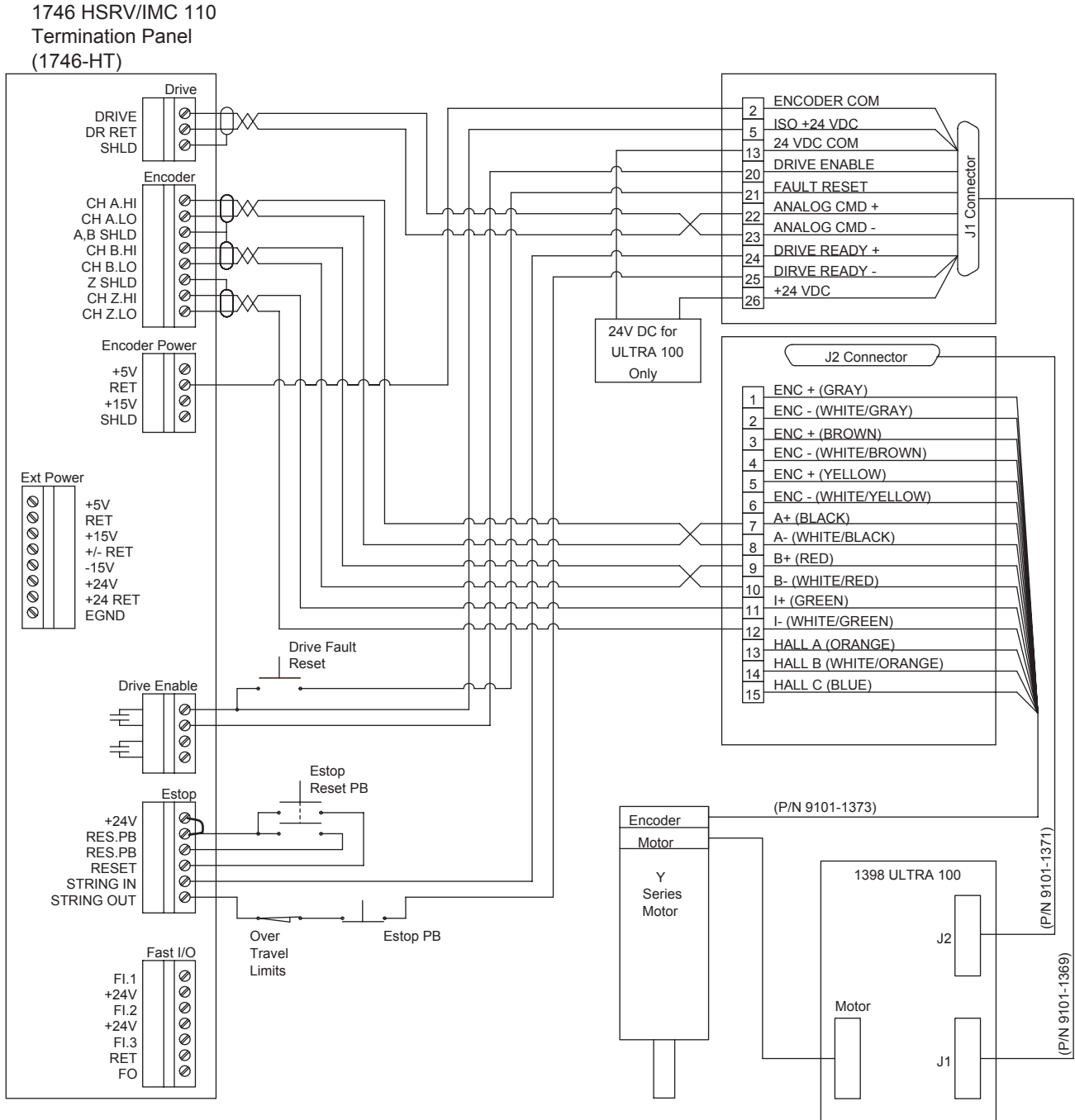
Allen-Bradley 1746-HT

**Figure 5.25 Wiring Diagram for F, H, and S series ULTRA 100/200 When Homing to a Marker**



<sup>1</sup> The encoder feedback cable (P/N 9101-1365 Rev. D) has the orange (ABS B #16) wire and the white/orange (HALL C #15) wire swapped.

Figure 5.26 Wiring Diagram for Y series ULTRA 100/200 When Homing to a Marker



Allen-Bradley 1746-HT